

GM 2200 DLE75



Power Pack Type GM 2200 DLE75

- **Working pressure up to 2,100 bar**
- **3.1 calibrated gauges and transducers**
- **Operating medium compressed air/nitrogen**
- **Extensive range of accessories**
- **Stable flight case for safe transport**

The MAXIMATOR Power Pack Type GM 2200 DLE75 is specially designed for ultra high-pressure compression of nitrogen up to 2,100 bar.

The station can be operated with both compressed air and also directly with nitrogen from a gas cylinder, thereby offering maximum mobility.



Technical Data

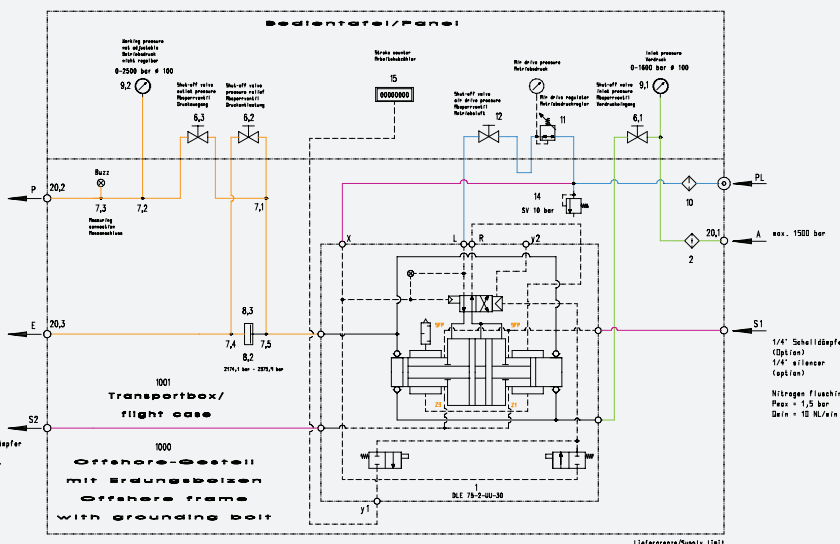
Type:	GM2200-DLE75-2-UU-30-ATEX
Order Code:	3230.2109
Pressure Ratio:	1 : 150
Working Pressure max.:	approx. 2100 bar
Operating Media:	Compressed Air / Nitrogen *
Flow Capacity max.:	depending on application
Connection Pressure Inlet PL/A:	1/2" BSPP / 4H (9/16-18 UNF)
Connection Pressure Outlet P:	4H (9/16-18 UNF)
Air Drive Pressure:	min. 1 bar / max. 10 bar
Dimensions W x D x H:	920 x 410 x 520 mm
Dimensions Case W x D x H:	1030 x 620 x 720 mm
Weight:	55,5 kg
Weight incl. Case:	107 kg

*other operating media on request

P & ID

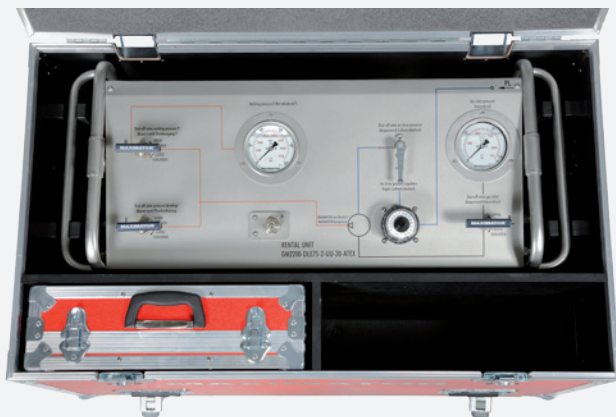
Pos. Description

- 1 DLE 75-2-UU-30
- 2 Filter
- 6,1 2-Way Angle Valve 21000psi 3/8"
- 6,2 2-Way Angle Valve 65000psi 1/4"
- 6,3 2-Way Angle Valve 65000psi 1/4"
- 7 Cross / T-Piece 65000psi 1/4"
- 8,2 Safety head assembly 65000psi 1/4"
- 8,3 Rupture Disc RD-37500
- 9,1 Pressure Gauge 0-1600 bar ø100mm
- 9,2 Pressure Gauge 0-2500 bar ø100mm
- 10 Air filter 1/2" BSPP
- 11 Pressure Regulator 1/2" BSPP
- 12 Ball Valve 1/2" BSPP
- 14 Safety Valve 1/2" BSPP
- 15 Stroke Counter
- 20 Bulkhead Coupling
- 1000 Offshore Frame
- 1001 Flight Case



GM 2200 DLE75

Scope of Supply



GM 2200 DLE75

Accessories

Flightcase

Accessories



Pressure Transducer 0-2500 bar,
0-10V *

Cable Connection 3000 mm

Rupture Disc RD-32500

Adapter:

4H (a) -> 1/2" (f) BSPP

4H (a) -> FNPT 1/2"

4H (a) -> 1/4" (f) BSPP

4H (a) -> FNPT 1/4"

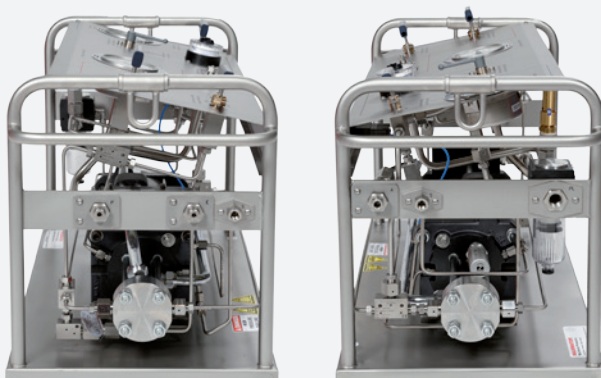
6M (a) -> 1/2" (f) BSPP

6M (a) -> FNPT 1/2"

6M (a) -> 1/4" (f) BSPP

6M (a) -> FNPT 1/4"

Connections



Air Drive Inlet: 1/2" BSPP

Pressure Outlet P:
4H (9/16-18 UNF)

Gas Inlet: 6M (9/16-18 UNF)

Pressure Release:
4H (9/16-18 UNF)

Flushing Connection: 1/4" BSPP

*not to be used in explosion areas

Performance Graph High Pressure Booster Type DLE75-2

