

# MAXIMATOR®

## Maximum Pressure.



High Pressure Technology • Testing Equipment  
Hydraulics • Pneumatics

### Technical Data Sheet

### Air Actuated H2-Valve 15V12M071-H2-8MNC



#### Technical Data

Operating temperature:	-40°C / +85°C
Drive pressure:	102 psi-145 psi (7 bar-10 bar)
Operating pressure:	15200 psi (1050 bar)
Net weight:	24,4 kg

#### Materials:

Valve body:	1.4404
Valve stem:	1.4980
Seal:	UHMWPE

#### Dimensions:

Height:	357 mm
Width:	220 mm x 220 mm
Orifice:	11,1 mm

**Actuator:** 8MNC

#### Catalog Part Number

Pressure	Component Type	Connection Size	Type	Stem Type	Body pattern	Media	Configuration
15 = 15200 psi (1050 bar)	V = Valve	12 = 3/4"	M = Medium pressure	07 = Vee stem	1 = Two-way straight	H2	8MNC = Air drive normally closed

2 = Two-way angle



The valves are marked with an EX sign and are in conformity to Group II Category 2G/2D Explosion group IIC constructive safety.

**Please consult factory for more information.** All technical and dimensional information subject to change. All General Terms and Conditions of sale, including limitations of our liability, apply to all products and services sold.

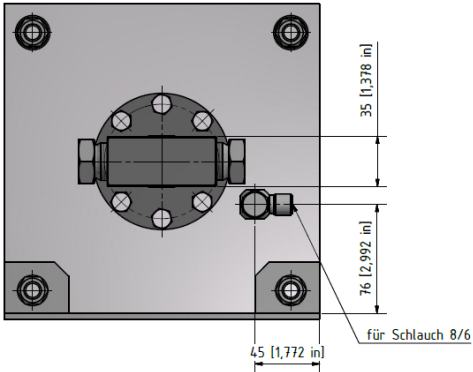
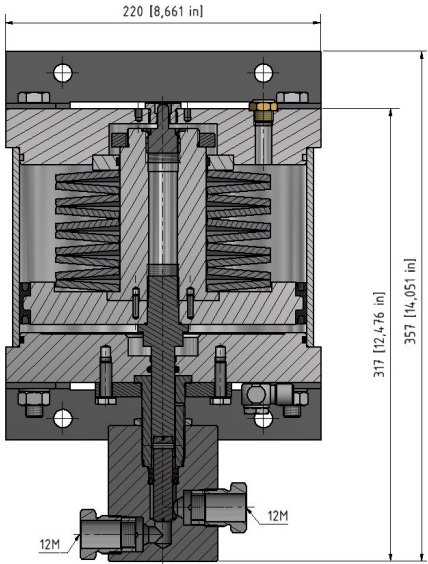
# MAXIMATOR®

## Maximum Pressure.



High Pressure Technology • Testing Equipment  
Hydraulics • Pneumatics

15V12M071-H2-8MNC:



B( 1 : 2 )

