

DATA SHEET

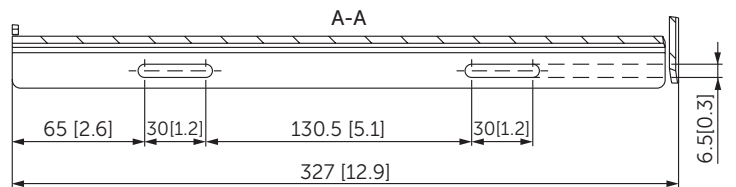
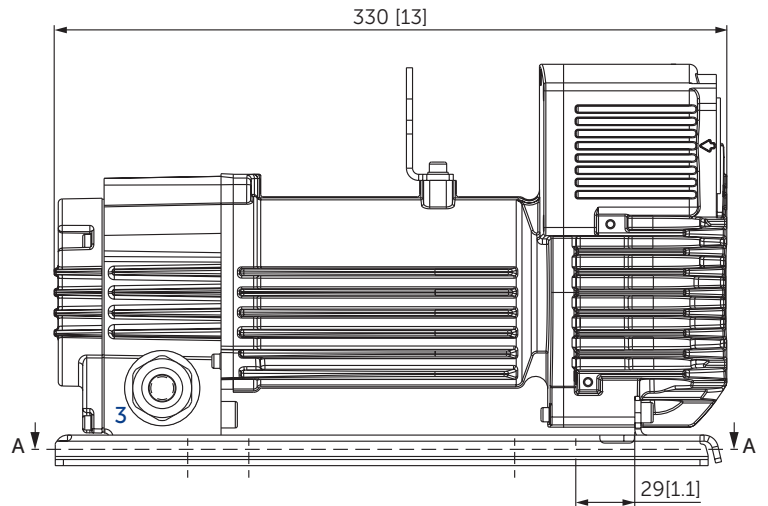
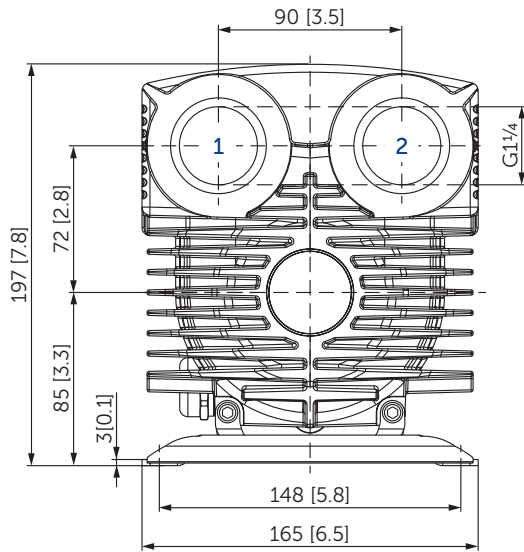
# VASF 2.80/1-0.XXXXX BASIC SIDE CHANNEL BLOWERS

single stage, air-cooled  
frequency inverter

**MAKE IT BECKER.**



**TYPE 1 – STANDARD**



- 1 Vacuum connection (G 1<sup>1</sup>/<sub>4</sub>)
- 2 Pressure connection (G 1<sup>1</sup>/<sub>4</sub>)
- 3 SKINTOP MS-SC-M32x1.5 EMV  
clamping range Ø 11–22 mm [0.4–0.9 inch]
- Dimensions in mm [inch]

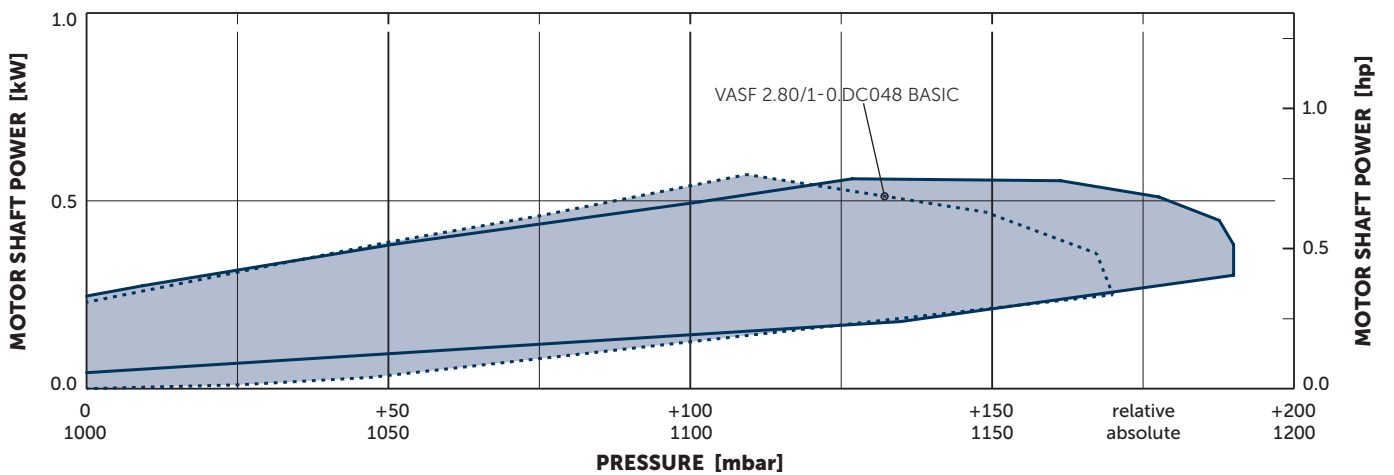
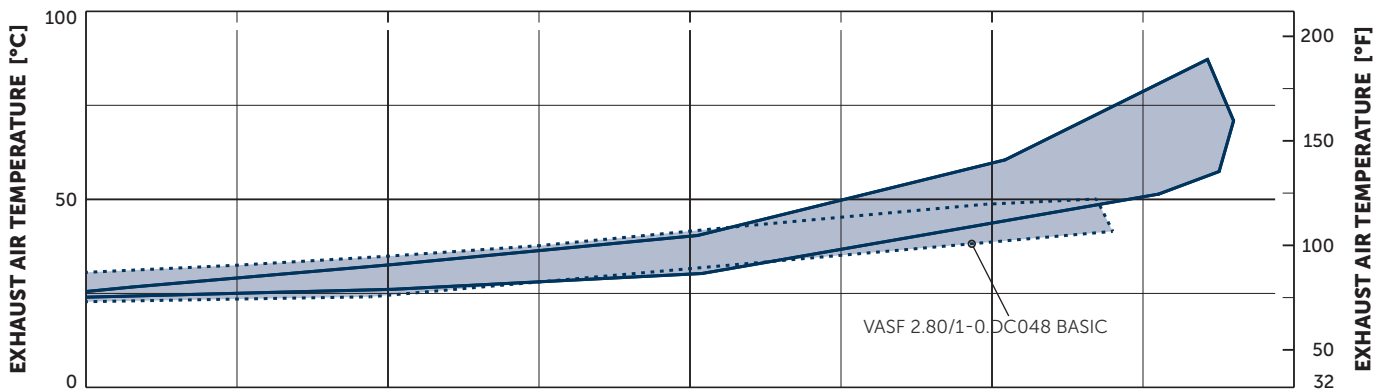
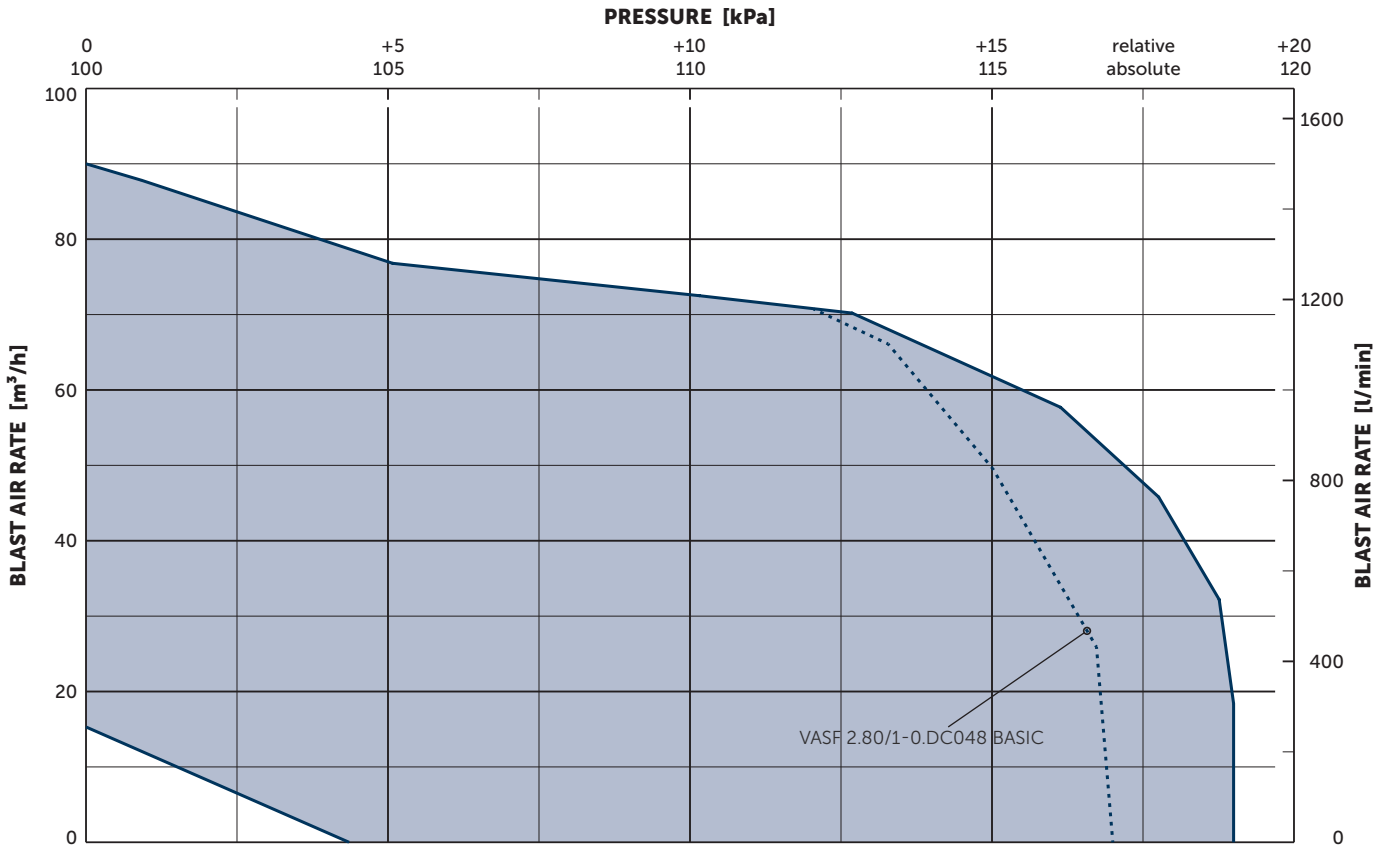
VASF 2.80/1	Blast air rate m <sup>3</sup> /h max.	Pressure relative		Frequency Hz	Emission sound pressure level <sup>1)</sup> dB(A)	Weight kg				 A max.
		mbar max.	kPa max.			Type 1	Type 2	Type 3		
<b>-0.AC230 BASIC</b>	90	+190	+19	50–250	64 <sup>2)</sup> / 83 <sup>3)</sup>	8.9	9.3	10.1	0.65 kW AC 1~ 200 V -10% ... 230 V +10% 50/60 Hz	6
<b>-0.AC115 BASIC</b>	90	+190	+19	50–250	63 <sup>2)</sup> / 76 <sup>3)</sup>	8.9	9.3	10.1	0.64 kW AC 1~ 100 V -10% ... 115 V +10% 50/60 Hz	6
<b>-0.DC048 BASIC</b>	90	+170	+17	50–250	65 <sup>2)</sup> / 85 <sup>3)</sup>	8.6	9.0	9.8	0.70 kW DC 48 V ±20%	20

<sup>1)</sup> According to DIN EN ISO 11203, accuracy class of measurement: class 2, extended measurement uncertainty: 3 dB, 1 m [39.4 inch] distance

<sup>2)</sup> With silencers, both sides piped (pressure and vacuum)

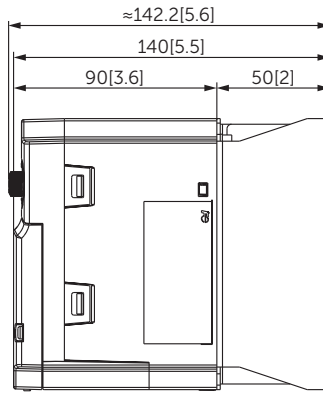
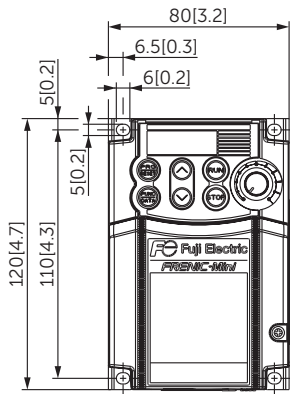
<sup>3)</sup> Without silencers, consumer side piped (pressure), other side open (vacuum)

- Frequency inverters including mains filter; for more information about the frequency inverters, see the instructions



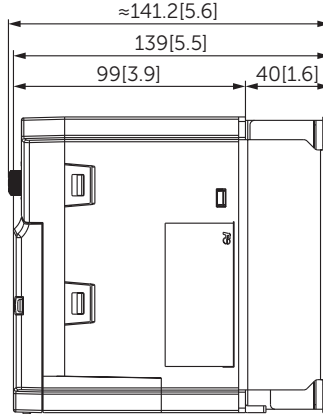
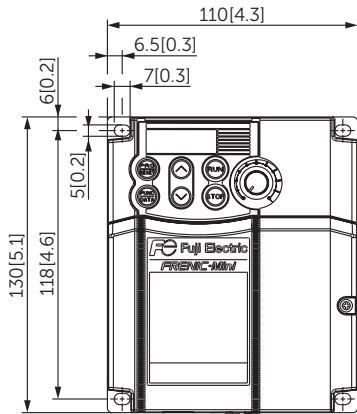
Reference data (atmosphere): 1000 mbar (100 kPa), 20°C (68°F)  
 Tolerance: ±10%  
 Max. ambient temperature: ≤ 45°C (≤ 113°F)

**FREQUENCY INVERTER AC 230 V**

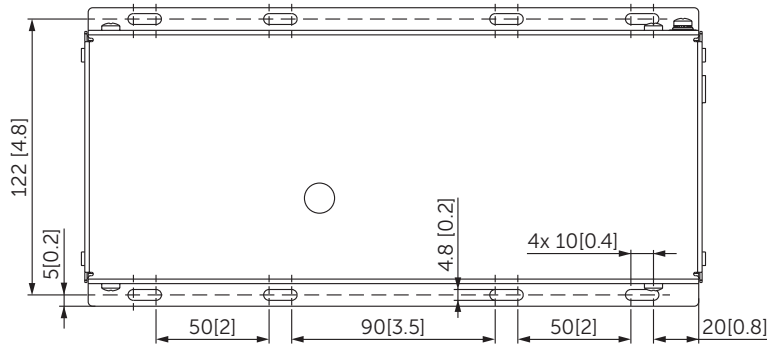
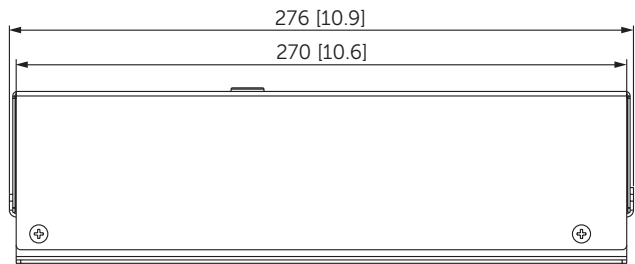
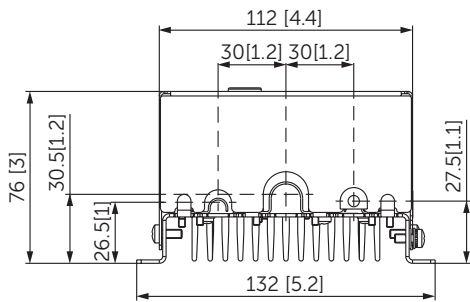


kg		
AC 230 V	AC 115 V	DC 48 V
0.9	1.3	1.6

**FREQUENCY INVERTER AC 115 V**



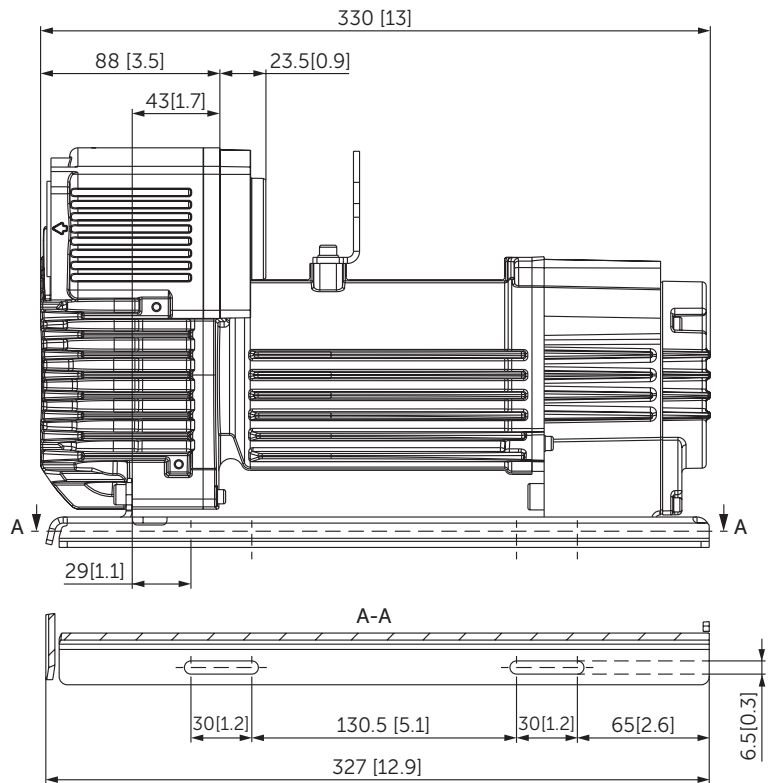
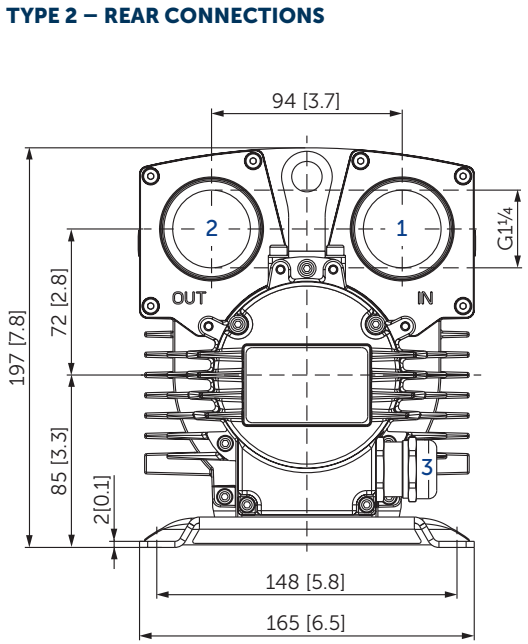
**FREQUENCY INVERTER DC 48 V**



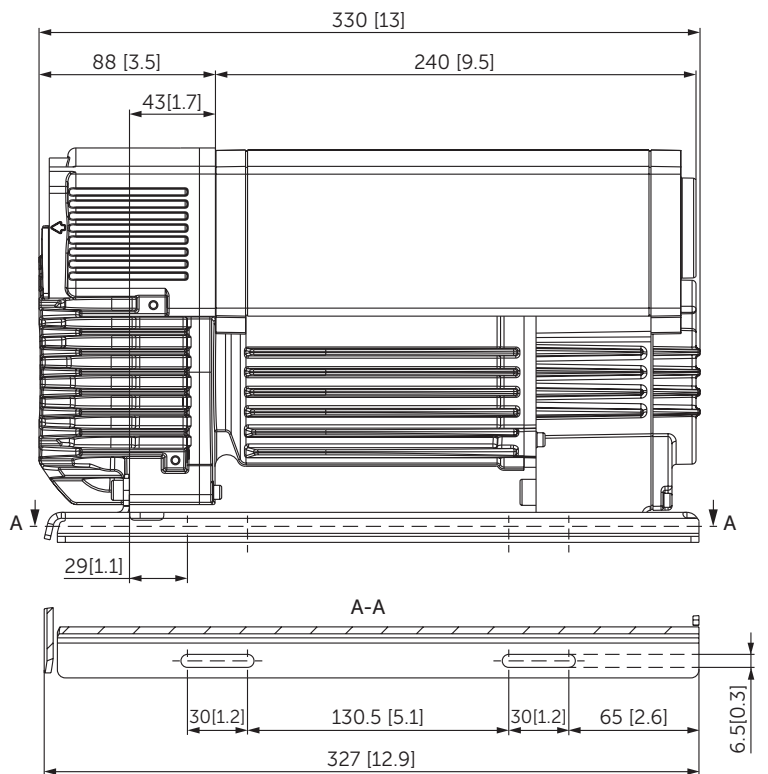
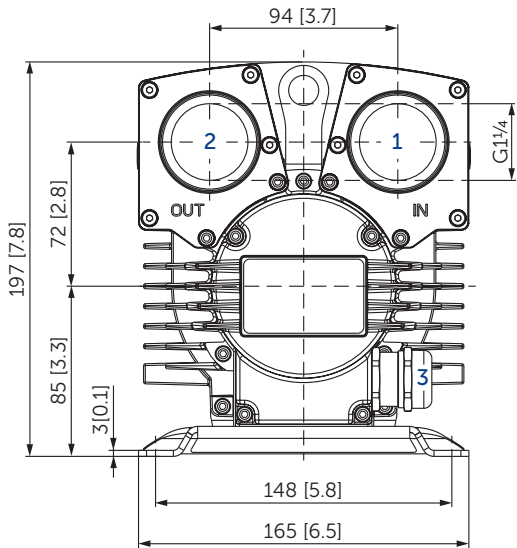
▪ For more information about the frequency inverters, see the instructions

**+ VARIANTS AND ACCESSORIES**

**TYPE 2 – REAR CONNECTIONS**



**TYPE 3 – WITH SILENCERS**



**CABLE**

**AC** WN211-267 (NO. 74202670000)

**DC** WN211-231 (NO. 74202310000)

- 1 Vacuum connection (G 1¼)
- 2 Pressure connection (G 1¼)
- 3 SKINTOP MS-SC-M32x1.5 EMV clamping range Ø 11–22 mm [0.4–0.9 inch]
- Dimensions in mm [inch]

**MAKE IT BECKER.**