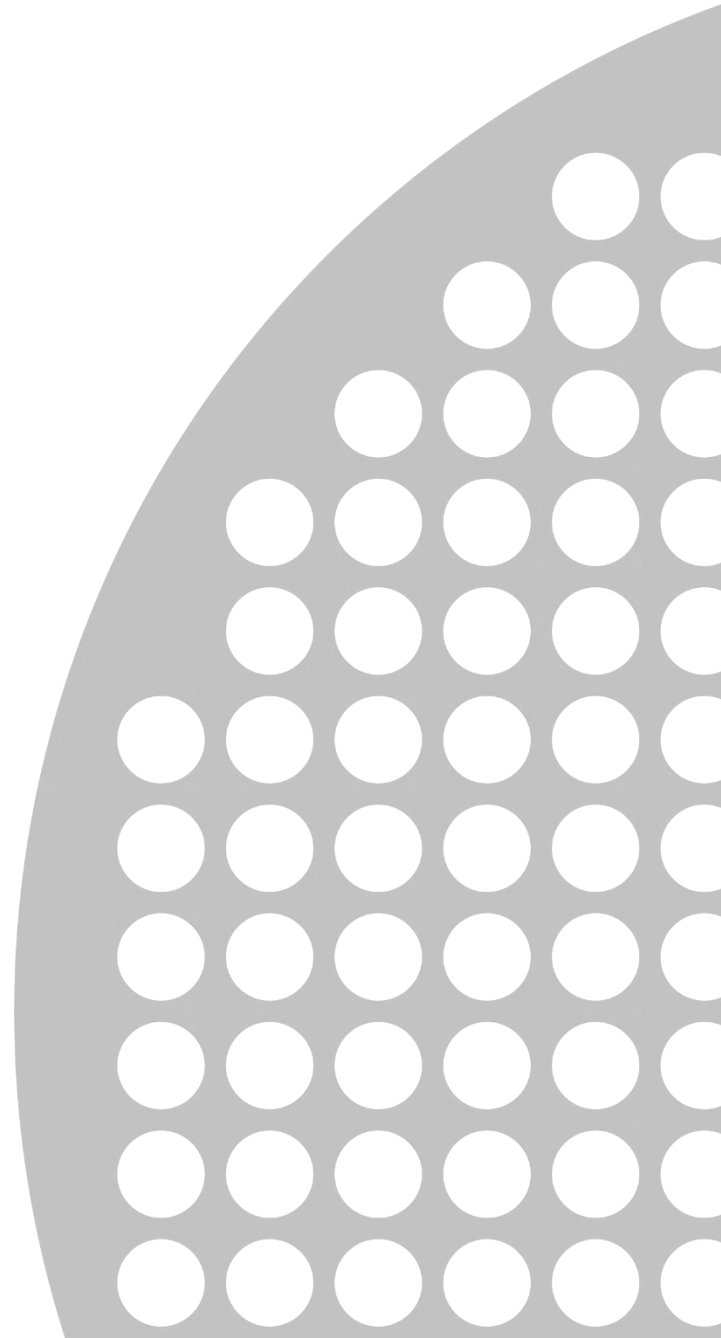




Shell & Tube Heat Exchangers

FOR HIGH PRESSURE
HYDROGEN APPLICATION





Type

Type -F

Flanged on-line installation (max up to 240barg SS or 360barg CS)

Type -W

Welded integral covers for piping/tubing connection to process

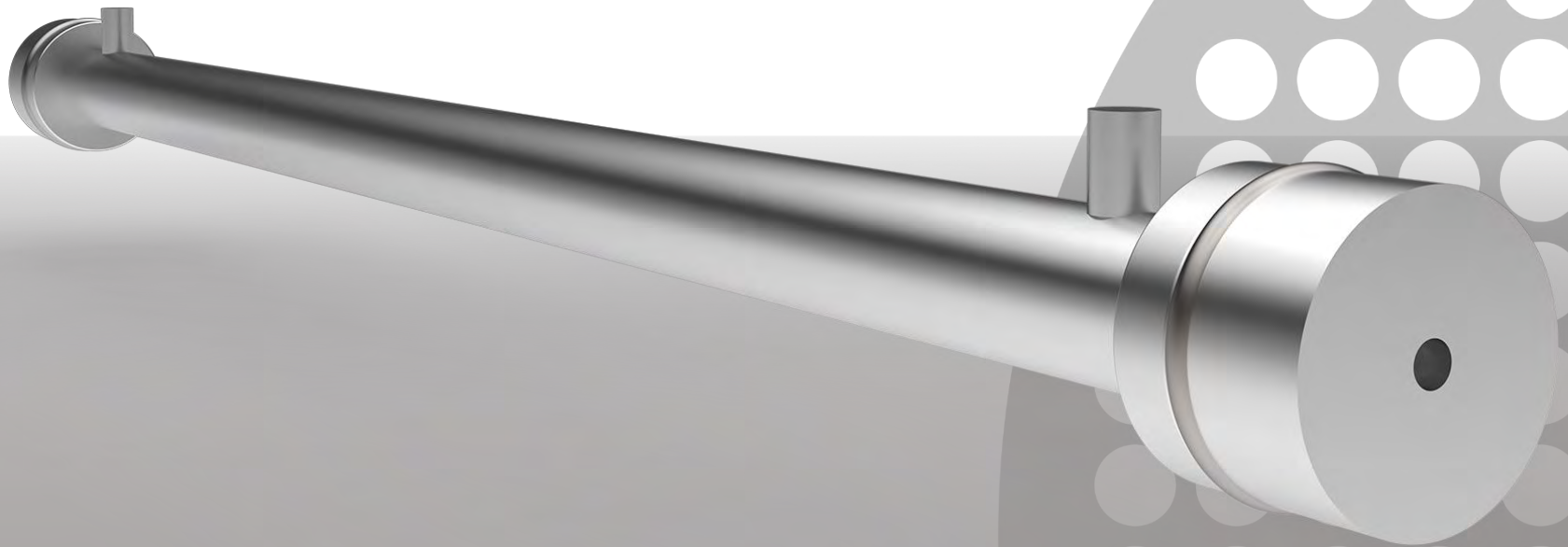
Type -C

Clamped removable covers for easy installation and maintenance



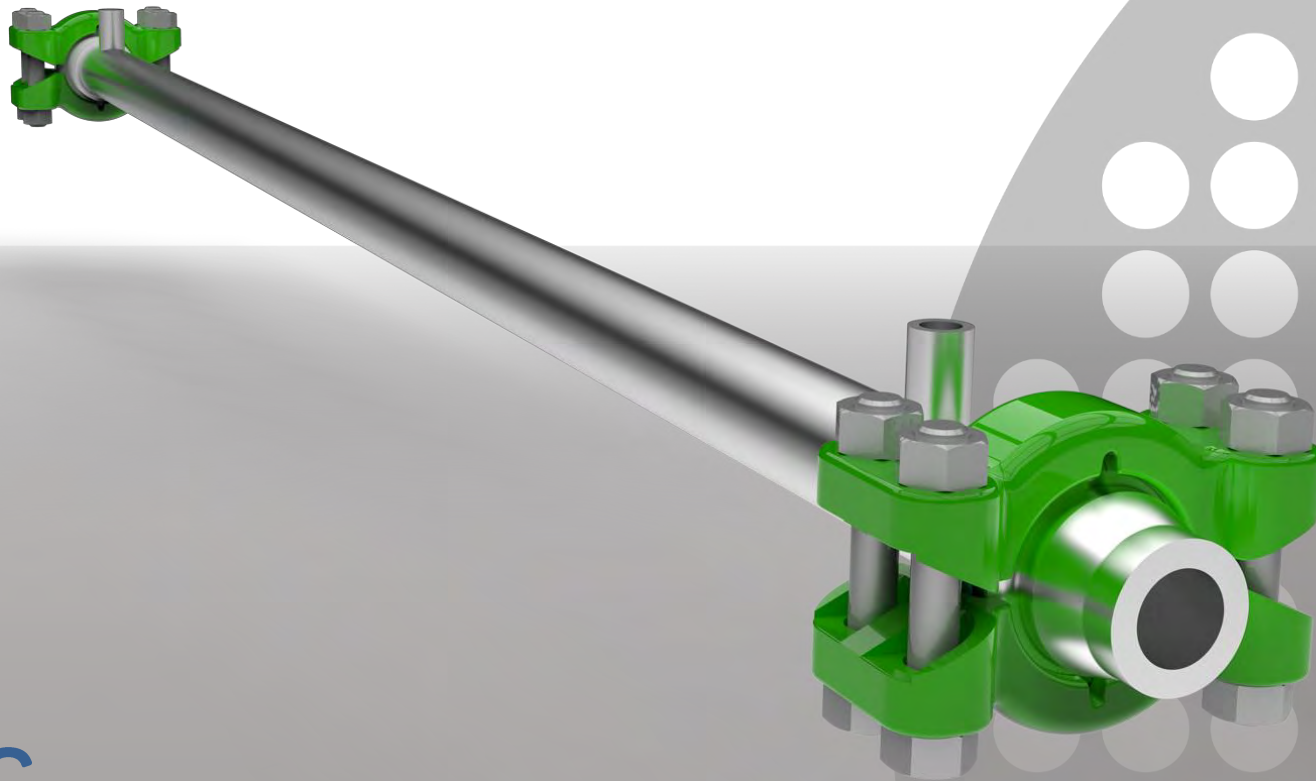
Type F

Flanged on-line installation (max up to 240barg SS or 360barg CS)



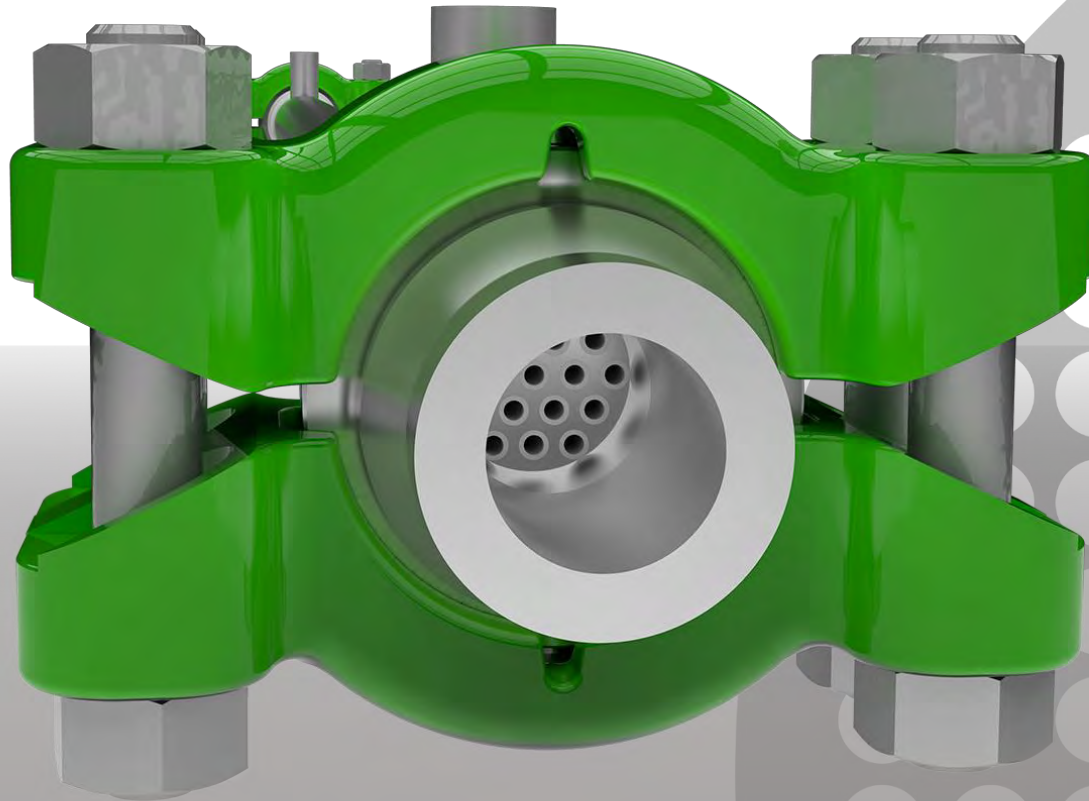
Type W

Welded integral covers for piping/tubing connection to process



Type C

Clamped removable covers for easy installation and maintenance



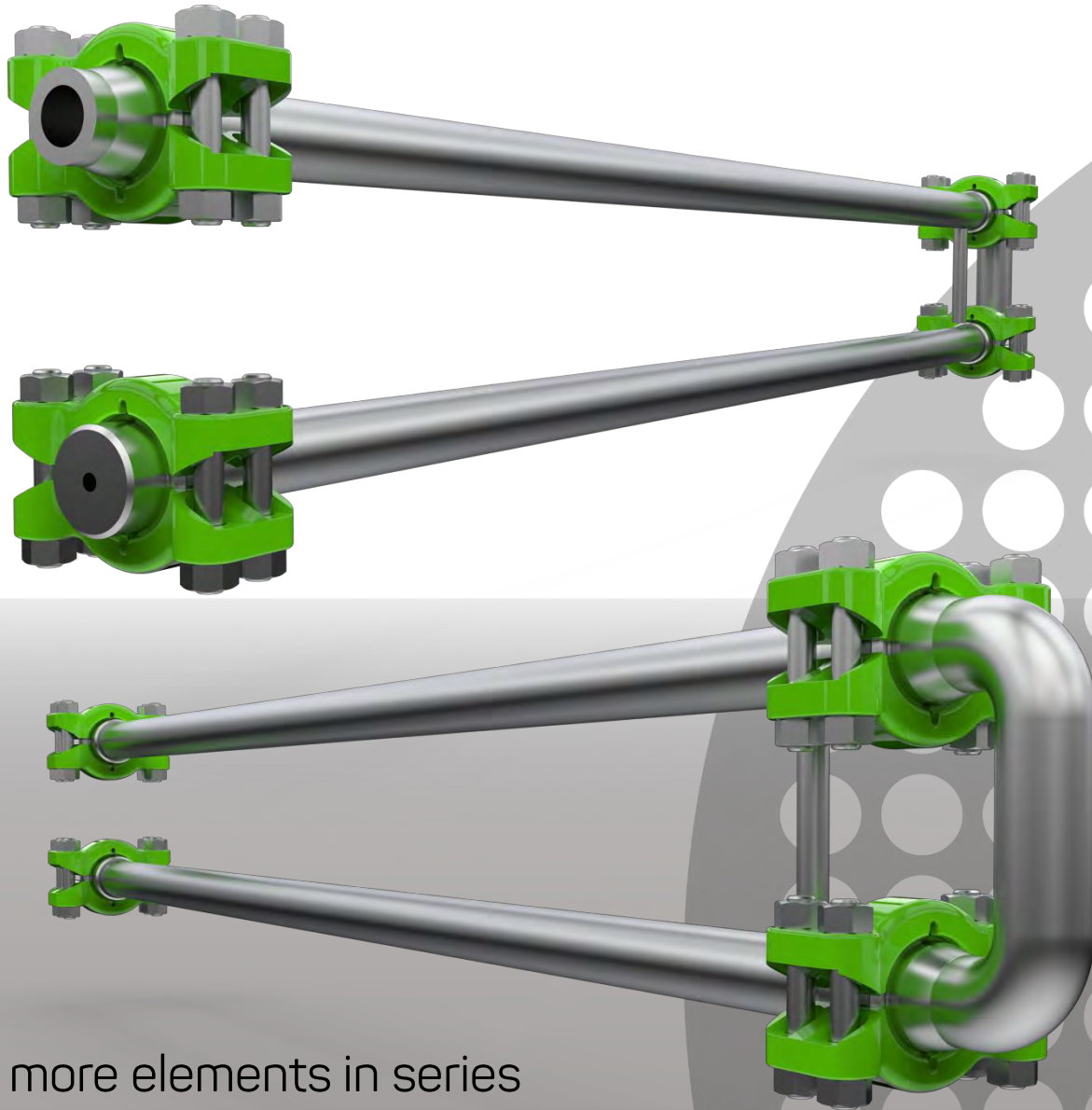
Type C

Clamped removable covers for easy installation and maintenance



Type C/P

Easy to connect more elements in parallel depending on working process conditions

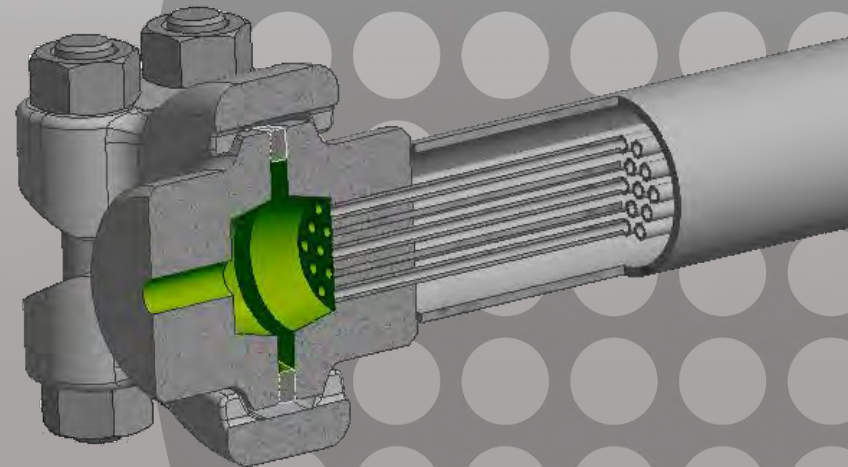
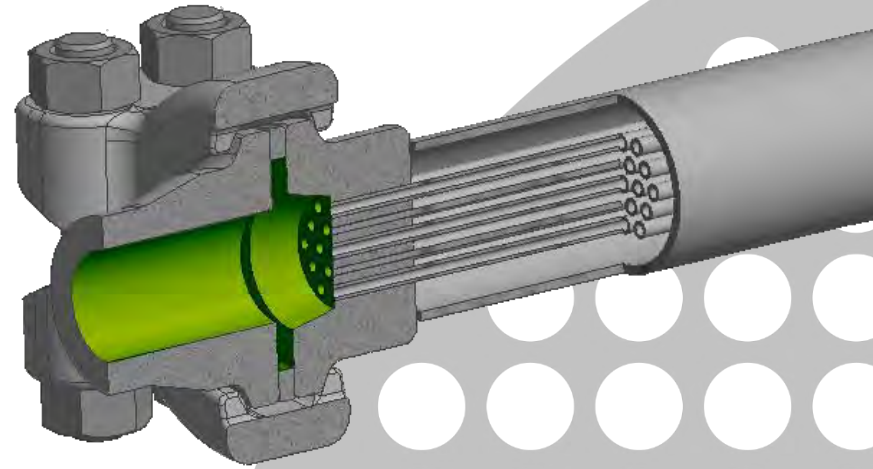


Type C/S

Easy to connect more elements in series depending on working process conditions

Type C

Counter hub suitable for butt weld on piping
or threader high pressure fitting installation





FEATURES

- Construction materials all parts in contact with fluids 316L Stainless Steel
- Pressure design up to 800barg and temperature design up to 300°C
- Hydrogen flow from 50kg/hr up to 500kg/hr (depending on cooler type)
- Thermal calculation performed by HTRI software to optimize selection
- Mechanical stress calculation according to codes ASME VIII or EN 13445

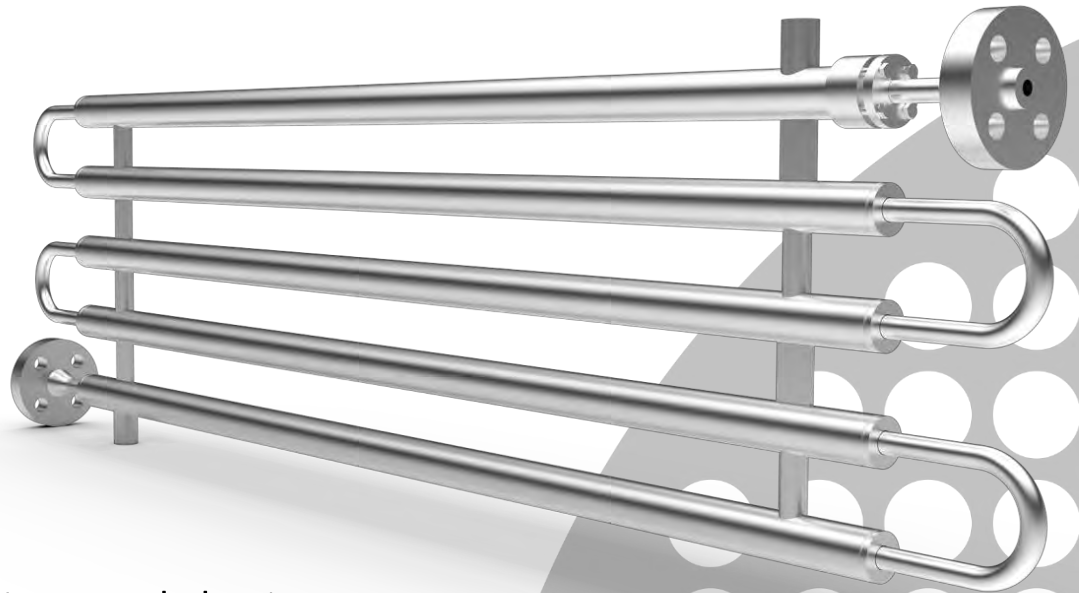




FEATURES

- Customized design for each process and installation on package needs
- Suitable for in series or in parallel installation as per process conditions
- ASME U-Stamp and PED 2014/68/EU verification and certification available
- Additional certifications according to final destination available on request

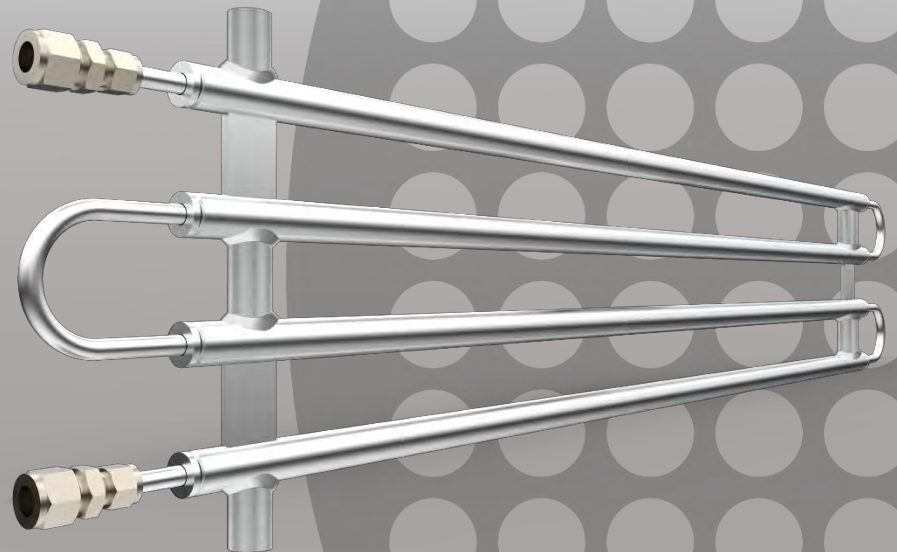


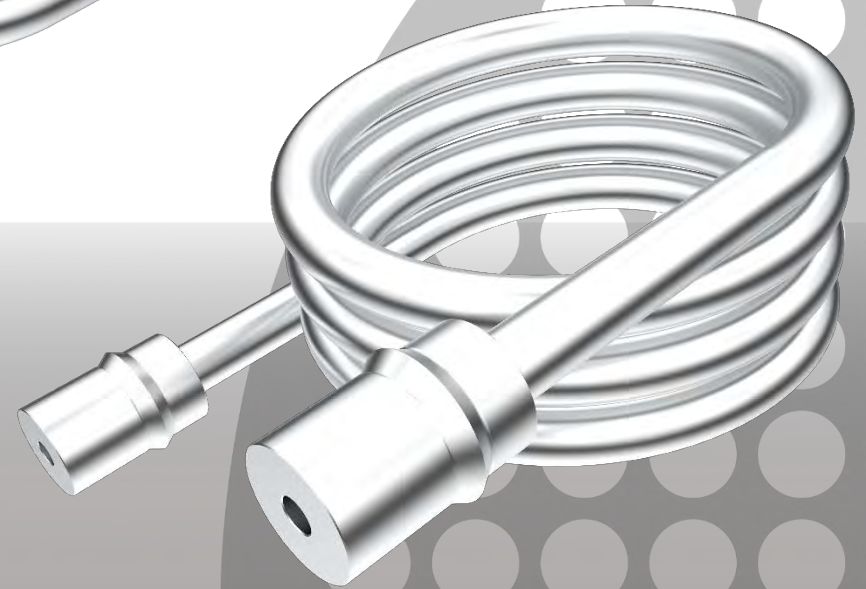


TIT - tube in tube

For small flow with high working and design pressure alternative solution is tube-in-tube cooler

- Fixed or floating construction as per design conditions according to ASME VIII or EN 13445
- Flanged ends for direct connection to process piping or customized ends suitable for fitting installation for extreme high design pressure (up to 1000barg)





SSP – single spiral pipe

MSP – multi spiral pipe

Fully customizable size and design

For small flow with high working and design pressure
for compact solution on small packages



SSP – single spiral pipe

MSP – multi spiral pipe

- Up to 6 meters linear length single or multiple pipe-in-pipe in single piece
- Flanged ends for direct connection to process piping or customized ends suitable for fitting installation for extreme high design pressure (up to 1000barg)
- Very compact design available in different sizes and configurations for easy installation on packages



www.flovex.it

Flovex Srl - Via Abruzzi, 4/6 - 20056 Grezzago (MI) ITALY - (+39) 02 920192.1 - flo@flovex.it