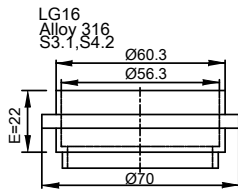
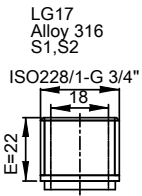
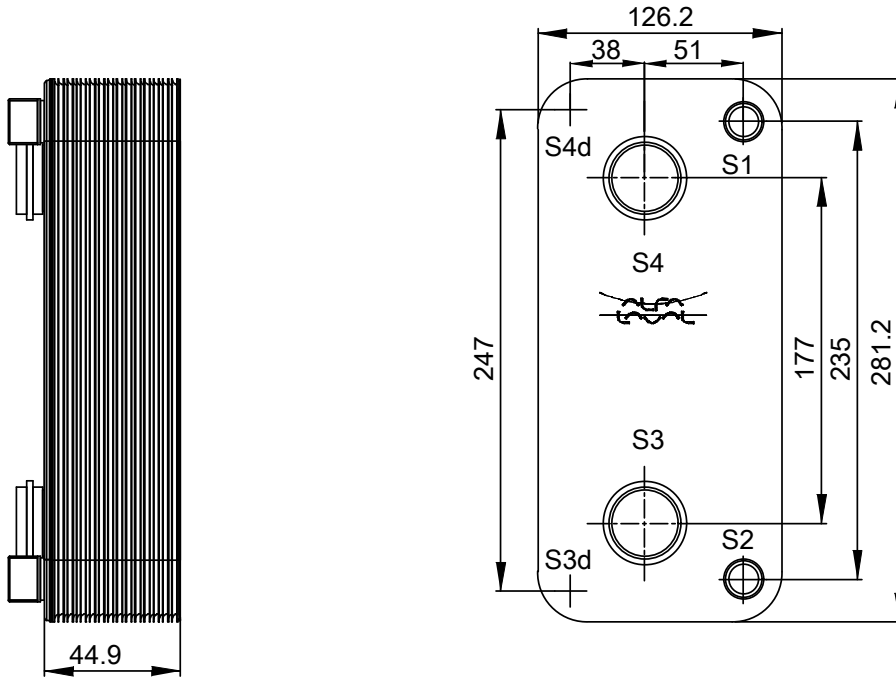


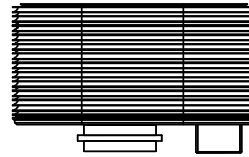
Note that all unique customer requirements (i.e tolerance) need to be verified thru Alfa Laval.



HEATING SURFACE
 NETWEIGHT 2.7 kg
 OPERATING WEIGHT kg
 PLATE MATERIAL ALLOY 316
 PLATE GROUPING 1*4AML/1*5AMH



T1 T2 T3 T4 locations on back side correspond to S1 S2 S3 S4 on front side



ALL DIMENSIONS IN MILLIMETERS

SIDE	MEDIA	INLET	TEMP.	OUTLET	TEMP.	FLOW RATE	PRESSURE DROP	LIQUID VOL.
1								0.47 dm³
2								0.62 dm³

PRESSURE VESSEL APPROVAL

PED/UK



AlfaNova GL50-10AM (3075094465)

www.alfalaval.com

CUSTOMER NAME / REF. NO.

TOTAL LENGTH 66.9 mm
 TOTAL WIDTH 126.0 mm
 TOTAL HEIGHT 281.0 mm

COMPANY / REF.

4/4/2023
 REV 0