

Data sheet

Instrumentation - u2-Lok Twin ferrule fittings - Valves and fittings

2-Way High Pressure Ball Valve (6.000 PSI)



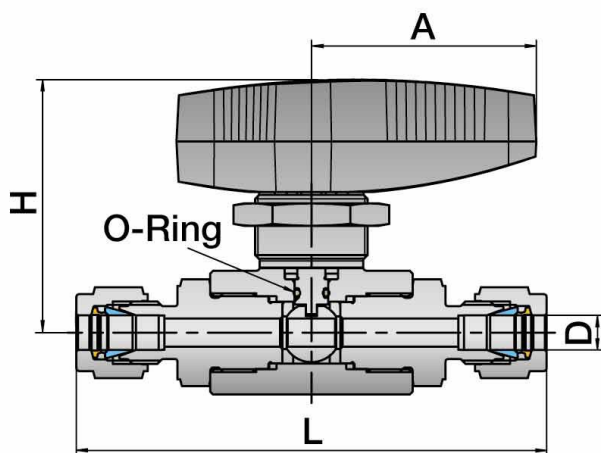
u2-BVm6p6-4LPKV

Fractional or metric tube

Connection 1 D 6 mm

Material 1.4404

Technical information



Connection 1: D 6 mm

Material: 1.4404

PSI: 6000

Bar: 413

D: 6 mm

L: 83,6

H: 45

A: 40

Weight: 289 g

Details

Operated by handle on a 90° angle. Sealing shells PEEK. P max 413 bar. Temperature range -20° C up to +150° C. Operational safety 1.5x. Subject to dimensional changes.