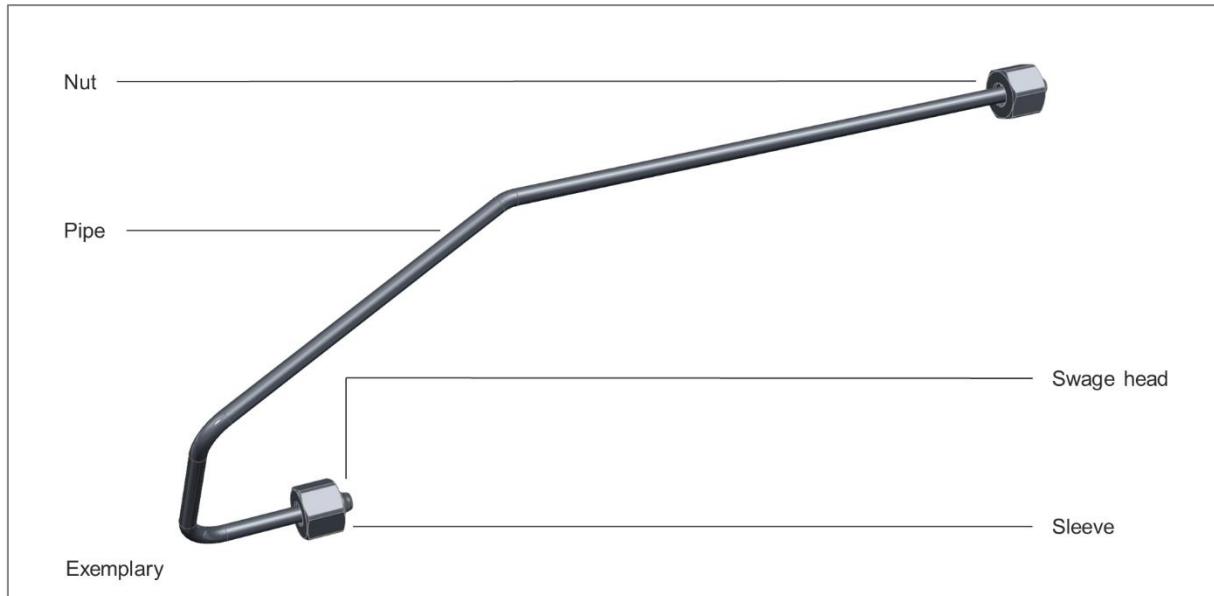




H₂ Pipes (PPH2)

Product specification

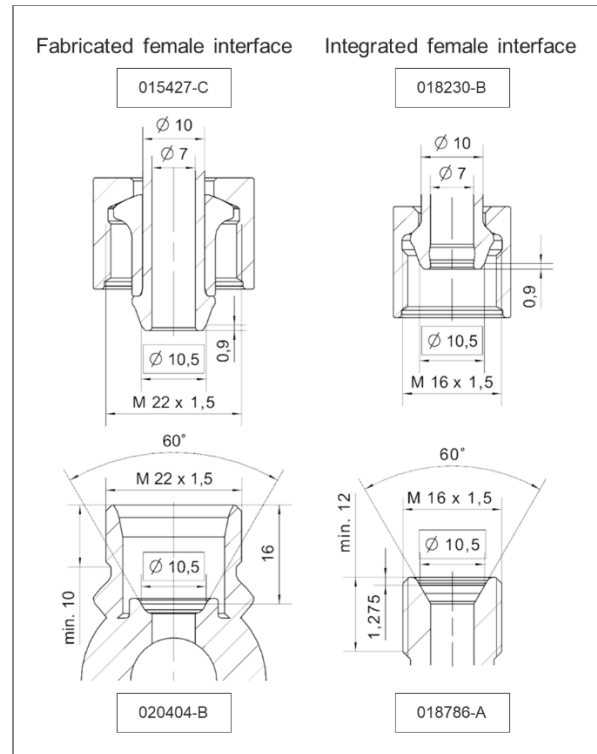
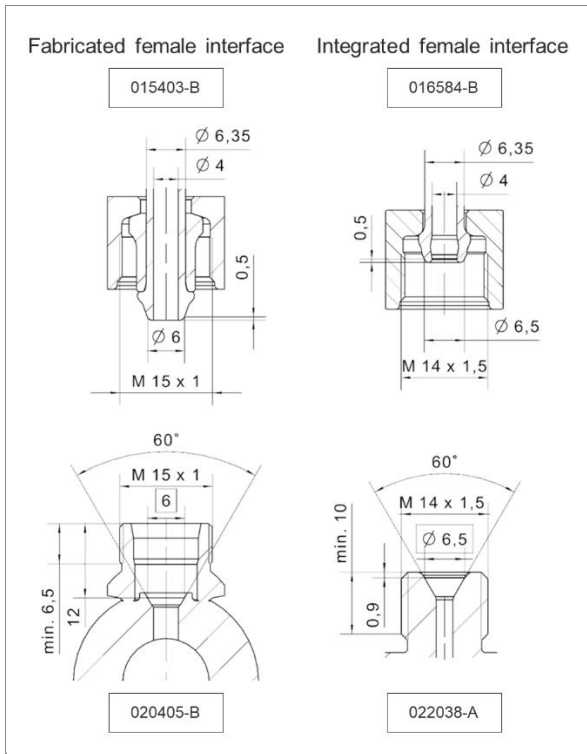


P+P's H₂ pipes are used to ensure the safe supply and distribution of hydrogen in mobile and stationary hydrogen applications.

With its certified metallic swage head connection, a reliable re-assembly is guaranteed.

By specifically varying the pipe dimensions, it is possible to meet the customer's specifications and installation space requirements in the best possible way.

Technical features



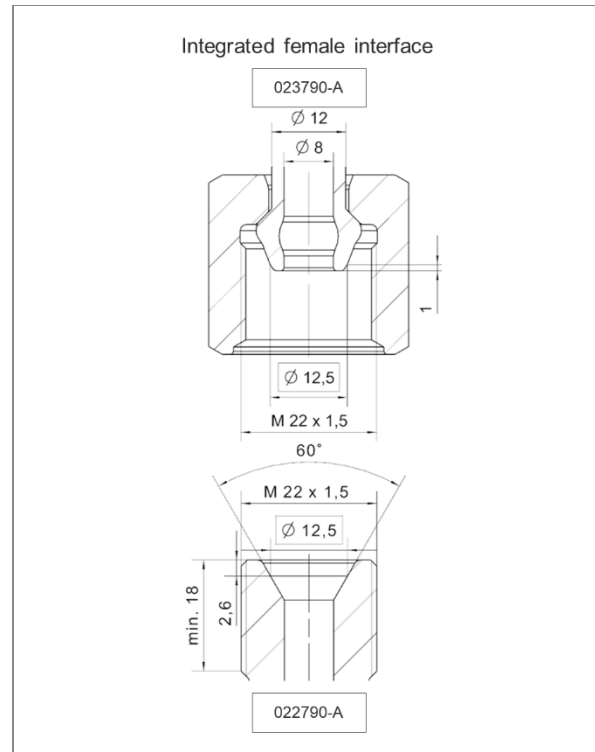
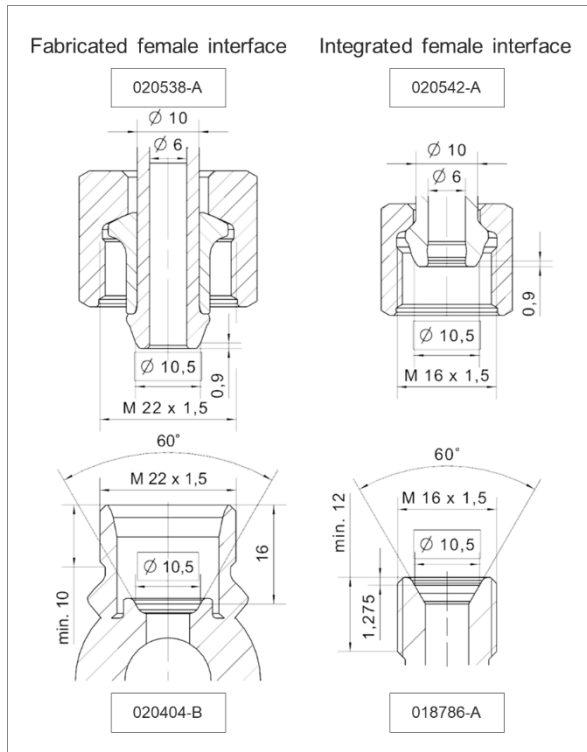
The following variants are currently under validation at P+P:

H ₂ Pipes	
Technical data	
Inner pipe diameter	4 mm
Outer pipe diameter	6.35 mm
Length pipe	max. 1.5 m
Material	PPH2 ¹⁾
Surface protection	Zn, Zn-Ni
Sealing type	Metal-to-metal
Interfaces Thread definitions	
Fabricated female interface (015403-B)	M15x1-6H
Integrated female interface (016584-B)	M14x1.5-6H
Operating conditions	
Operating temperature	-40 to +85 °C
Nominal working pressure (50.000 cycles)	up to 700 bar
Burst pressure	> 3900 bar
Medium	Hydrogen
Leakage rate	<10 Ncm ³ /h

H ₂ Pipes	
Technical data	
Inner pipe diameter	7 mm
Outer pipe diameter	10 mm
Length pipe	max. 1.5 m
Material	PPH2 ¹⁾
Surface protection	Zn, Zn-Ni
Sealing type	Metal-to-metal
Interfaces Thread definitions	
Fabricated female interface (015427-C)	M22x1.5-6H
Integrated female interface (018230-B)	M16x1.5-6H
Operating conditions	
Operating temperature	-40 to +85 °C
Nominal working pressure (50.000 cycles)	up to 350 bar
Burst pressure	> 3000 bar
Medium	Hydrogen
Leakage rate	<10 Ncm ³ /h

1) PPH2 is a protected designation of the Poppe + Potthoff Präzisionsstahlrohre GmbH

Technical features



The following variants are currently under validation at P+P:

H ₂ Pipes	
Technical data	
Inner pipe diameter	6 mm
Outer pipe diameter	10 mm
Length pipe	max. 1.5 m
Material	PPH2 ¹⁾
Surface protection	Zn, Zn-Ni
Sealing type	Metal-to-metal
Interfaces Thread definitions	
Fabricated female interface (020538-A)	M22x1.5-6H
Integrated female interface (020542-A)	M16x1.5-6H
Operating conditions	
Operating temperature	-40 to +85 °C
Nominal working pressure (50.000 cycles)	up to 700 bar
Burst pressure	> 4300 bar
Medium	Hydrogen
Leakage rate	<10 Ncm ³ /h

H ₂ Pipes	
Technical data	
Inner pipe diameter	8 mm
Outer pipe diameter	12 mm
Length pipe	max. 1.5 m
Material	PPH2 ¹⁾
Surface protection	Zn, Zn-Ni
Sealing type	Metal-to-metal
Interfaces Thread definitions	
Integrated female interface (023790-A)	M22x1.5-6H
Operating conditions	
Operating temperature	-40 to +85 °C
Nominal working pressure (50.000 cycles)	tbd
Burst pressure	tbd
Medium	Hydrogen
Leakage rate	<10 Ncm ³ /h

1) PPH2 is a protected designation of the Poppe + Potthoff Präzisionsstahlrohre GmbH

Certification & safety information

The product may only be used after installation by qualified personnel according to the corresponding installation guide. Usage for production of commercial goods is only permitted in certified countries. Otherwise, the product may only be used for testing purposes.

Certificates

Europe

	6.35x4	10x7	10x6	12x8
EC79/2009, EU406/2010	Certified	Tests passed	Pending	Pending
UN/ECE R134	n/a ²⁾	n/a	n/a	n/a
North America (USA, Canada)				
	6.35x4	10x7	10x6	12x8
HGV 3.1-2015	Tests passed ³⁾	n/a	n/a	n/a

2) UN/ECE R134 does not include specific testing of pipes.

3) HGV 3.1-2015 explicitly mentions only stainless steel pipes. Nevertheless, 6.35x4 PPH2 pipes were successfully tested according to HGV 3.1-2015.

Poppe + Potthoff GmbH

Dammstraße 17

32824 Werther

Germany

Phone: +49 (0) 5203 91 66 0

Fax: +49 (0) 5203 91 66 100

info@poppe-potthoff.com

www.poppe-potthoff.com

