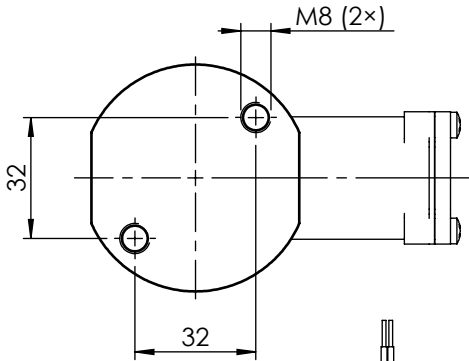


2/2-way solenoid valve

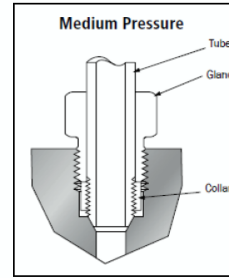
direct acting

Group	H2DI	Symbol				Type	3105		
Remarks			DN	Solenoid size	Manual control	0.5	2	none	
			Function	Drawn solenoid	Weight without solenoid	NC	86	1.1 kg	

Dimensions are in millimeters, unless otherwise specified.



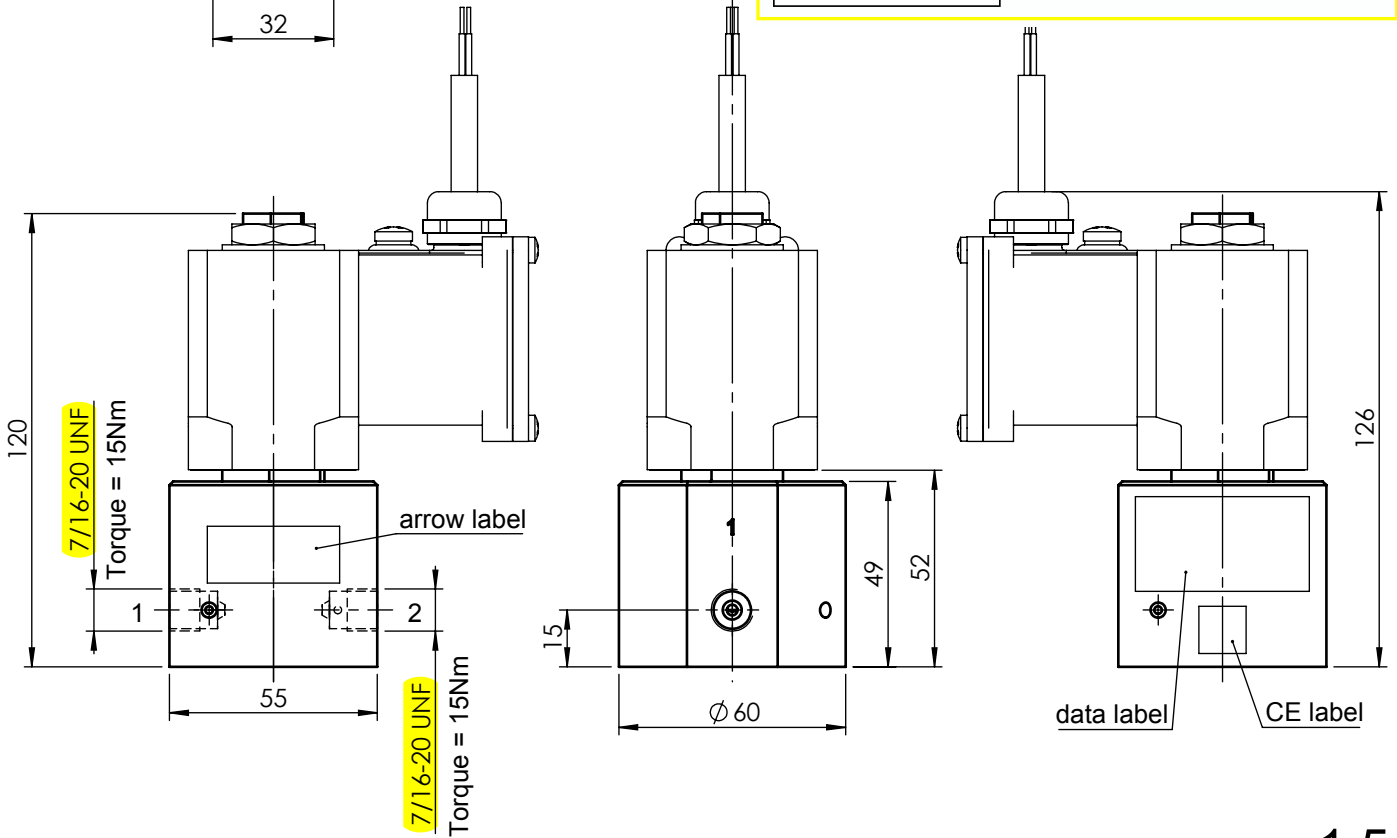
Connection thread: 7/16-20 UNF – Medium Pressure C/T-connection



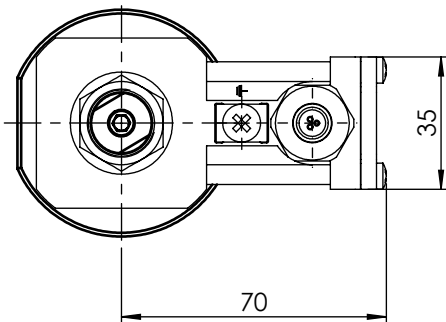
Medium Pressure Coned-and-Threaded - Fittings and Tubing:

Tube Size:
 Outside Diameter: 1/4" (6.35 mm);
 Inside Diameter: 2.77 mm
Fitting:
 Gland with 7/16-20 UNF-Thread;
 Collar with 1/4-28 UNF-Thread (LH)
 for Tube Outside Diameter 1/4" (6.35 mm)

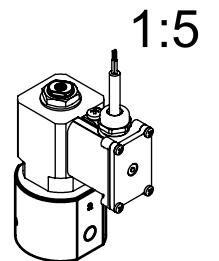
Subject to dimensional or design modification



Copyright on this drawing remains in our company



DN [mm]	Kv [m³/h]	Pressure gas [MPa]
0.5	0.009	0 ... 100 (0 ... 1000 bar)
	Cv [US-gal/min]	psi [lbf/in²]
	0.01	0 ... 14504



Layout

3D ID: 277.895.00

Selection sheet	-			Status	Tech.Dok. - Freigegeben			Drawn	08.08.2018	ckrebsler
Drawing class	G-DGRL-H			Revision	00	Version	03	Checked	06.12.2018	amueller
Scale	1:2		Modified	28.11.2018		adminintern		Size	Drawing-/Part-No.	
Sheet	1	of 1	Administration	06.12.2018		rfischer		4	277.853.02	
									Language	en

a4sm-verfil-rnb-en