

# Data sheet

## VECTOPOWER VP600-18W368

Art. no. VP600-18W368-77.1.05.11.00.0



The illustration may contain optional equipment.

### Typical applications

#### Traction Drive

To drive an electric motor in a vehicle or in a mobile working machine with regenerative braking energy.

#### Auxiliary drive

To drive an electric motor for vehicle superstructures, such as the winch of a mobile crane

#### Power generation

For generating a microgrid by means of a generator or turbine

### Features

This inverter can output an effective peak current of up to 838 A<sub>rms</sub> for 1 minute. (For reference values see peak current)

2 power output stages for parallel operation, to provide even more power when operating a motor

Power and signal connections with connectors

Power connections with interlock

Supports many kinds of encoders: resolver, incremental encoder, eddy current type encoder

Supports synchronous and asynchronous motors, matched to ARADEX electric motors

Radio interference suppression capacitors in the DC link

Extremely stable construction against shocks and vibrations

### Software functions

CAN bus (CANopen optional)

Freely extendable application software

Optional real-time PLC

Control modules for all motor topologies

Field weakening in PM motors with buried magnets and asynchronous motors

Boost function for standstill torque

### Certifications

Device according to UN ECE R10 and UN ECE R85

SafeTorqueOff according to DIN EN 61800

### Accessories

Benefit from our commissioning tools VEConfig and Analyser for commissioning, analysis and optimization of your application.

You can add individual functions to the inverter. Ask us about VECTOSTUDIO.

Mating connector, coolant nozzle, connecting cable between VECTOPOWER and notebook, adapter plate.

### DC link

All data refer to both power output stages combined.

Min./max. operating voltage, in V DC ..... 30...840

DC link switch-off threshold 1 (recommended) , in V ..... 860

DC link switch-off threshold 2, in V ..... 880

*Switch-off threshold 1 is an adjustable switch-off threshold to protect the application. Shutdown threshold 2 is a fixed setting to protect the device.*

### Motor circuit

All data refer to both power output stages combined.

# Data sheet

## VECTOPOWER VP600-18W368

Art. no. VP600-18W368-77.1.05.11.00.0

### Thermal rated current and continuous power

*Reference values for rated thermal current and continuous power with DC link 720 VDC, PWM 4 kHz, coolant flow rate 30 l/min at 35°C and ambient temperature 45°C.*

Thermal rated current AC (rms), in $A_{rms}$ .....	440
Continuous power, in kVA .....	388
Continuous power loss, in kW .....	4

### Peak current AC

*Reference values for peak current with DC link 720 VDC, PWM 2 kHz, coolant flow rate 30 l/min at 35°C and ambient temperature 45°C.*

Peak current AC (rms), for 1 minute, in $A_{rms}$ .....	838
Peak current AC (rms), for 10 minutes, in $A_{rms}$ .....	640
Min./max. PWM frequency, in kHz .....	1..8
Max. electrical rotational frequency, in Hz .....	599

## Control component

Voltage, in V DC .....	12 / 24
Voltage for STO signals, in V DC .....	24

*Voltage for the STO signals (SafeTorqueOff) if the application falls under the ECE-R10 regulation.*

## Interfaces

### Power connector

Manufacturer Amphenol, type PowerLok, "1 POS Product", series 300.

### Connector signal part [ST1]

Manufacturer AMP, connector type AMPSEAL HDR SNAP IN W/G 23pol, protection class IP67

### Connector signal part [ST2A] and [ST3A]

Manufacturer Intercontec, connector type A ST A 035, connector design 17 pin, type "P"

## Communication interfaces

CAN, CANopen, RS-232, analog inputs

*The optional CAN Matrix from ARADEX enables you to communicate actual and setpoint values cyclically. The CAN matrix can be individually customized.*

## Hardware interfaces

All data refer to the entire device.

Number of encoder inputs .....	1
Encoder inputs with digital absolute value .....	optional
External voltage measurement .....	no
Temperature measurement	
Quantity PT100 inputs .....	2
Quantity NTC/PTC inputs .....	4

## Operating conditions

The following ambient conditions apply to operation.

Max. Humidity acc. to EN 61800-5-1, non-condensing, in % .....	93
Min. ambient temperature, in °C .....	-25
Max. ambient temperature with derating, in °C .....	75
Max. operating altitude for mains and battery operation, in m above sea level .....	2000
Overvoltage category .....	II
Max. operating altitude for battery operation, no mains operation possible, in m above sea level ...	4000
Overvoltage category .....	I
Pollution degree according to DIN 61800-5-1 .....	3
Protection class acc. to EN 60529 .....	IP66, IP67
Environmental influences validated acc. to:	
Sinusoidal vibration acc. to EN 60068-2-6 from 10 - 500 Hz .....	5 g / 0.7 mm
Permanent shock acc. to EN 60068-2-27 ...	40 g / 6 ms
Broadband noise acc. to EN 60068-2-64 .....	ISO 16750, Test VII
Shock test acc. to EN 60068-2-27 .....	50 g / 11 ms
Free fall acc. to EN 60068-2-31 .....	250 mm

# Data sheet

## VECTOPOWER VP600-18W368

Art. no. VP600-18W368-77.1.05.11.00.0

### Cooling

Liquid cooling ..... yes  
 Coolant connection ..... G 3/4"  
 Flow rate, in l/min ..... 30..40  
 Min. temperature of the coolant, in °C ..... -25  
 Max. temperature of the coolant with derating, in °C ..... 75  
 Max. temperature of the coolant without derating, in °C ..... 65  
 Coolant ..... water and glycol

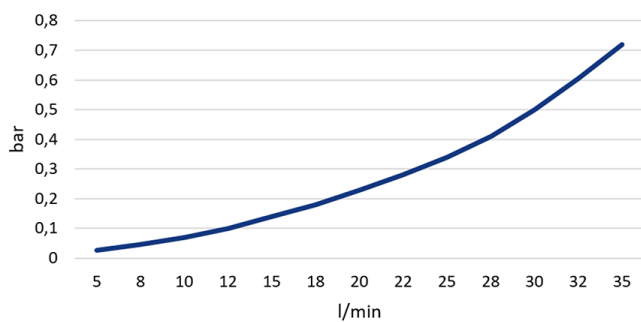


Figure 1: Pressure drop in the cooling system

### Protective measures

Short circuit rating acc. to EN 62477-1 ..... 10 kA / 1 ms

### Location, dimensions and designation of the connections

L x W x H without accessories, in mm ..... 529 x 414 x 132

Weight, in kg ..... 35

All dimensions in the drawings are in millimeters. The drawings may show optional accessories.

Power section: switch-off threshold adjustable

Control section: switch-off thresholds for under-/over-voltage

Thermal protection of inverter and motor by peak current and temperature monitoring

Thermal monitoring of the motor by temperature inputs, freely programmable warning and error thresholds

Monitoring of overcurrent, short circuit, total current and DC link voltage

Active short circuit application-specific adjustable

### More information

Reference reports can be found at [www.aradex.com](http://www.aradex.com)

Detailed technical data can be found in the installation manual in the product description chapter.

Quick start guide, installation manual, safety manual, VEConfig operating manual and VE operating manual can be requested by mail via [sales@aradex.com](mailto:sales@aradex.com).

The VEConfig software is available as a download from the Microsoft Store: <https://www.microsoft.com/store/productId/9N1P7CFQT04S>.

# Data sheet

## VECTOPOWER VP600-18W368

Art. no. VP600-18W368-77.1.05.11.00.0

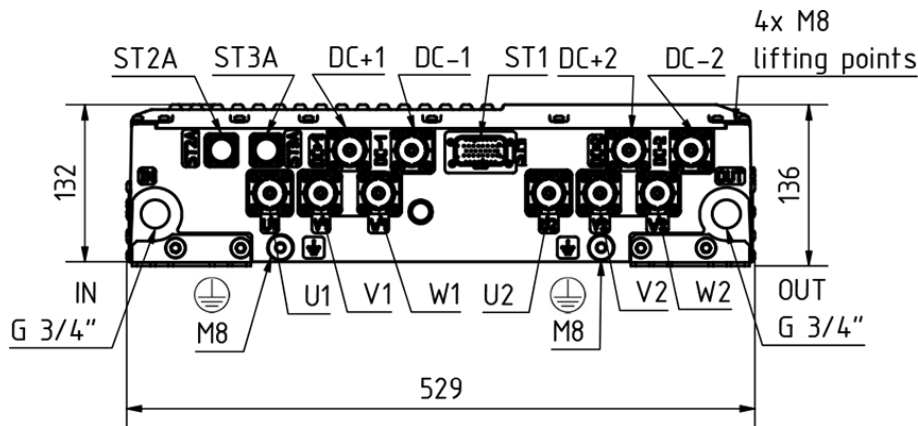



Figure 2: Front view, position of the connections

- [DC+1], [DC-1]: Power connections for DC link, power stage 1
- [DC+2], [DC-2]: Power connections for DC link, power stage 2
- [U1], [V1], [W1]: Power connections for motor circuit, power stage 1
- [U2], [V2], [W2]: Power connections for motor circuit, power stage 2
- : Protective conductor
- [ST1]: Signal connection for CAN, RS-232, STO, Interlock, supply voltage
- [ST2A]: Signal connection for resolver, eddy current type encoder, for both power stages together.
- [ST3A]: Signal connection for incremental encoder with/without absolute track, for both power stages together
- [IN]: Cooling flow
- [OUT]: Cooling return

# Data sheet

## VECTOPOWER VP600-18W368

Art. no. VP600-18W368-77.1.05.11.00.0

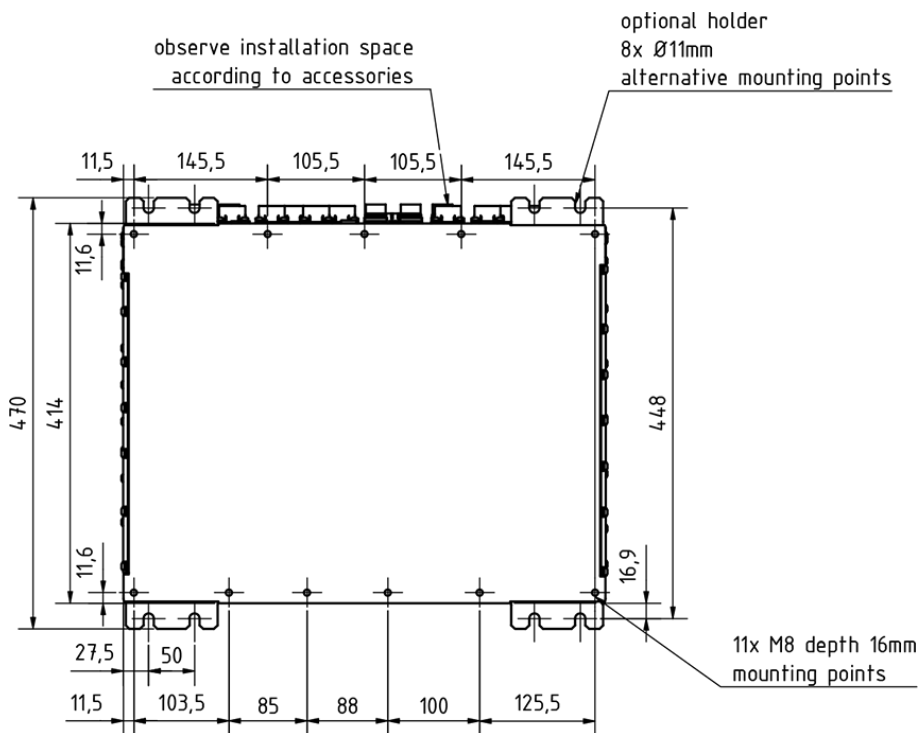


Figure 3: View from below with hole pattern