

## GEMÜ B42

### Pneumatically operated 2/2-way ball valve



#### Features

- Suitable for vacuum applications
- Low maintenance and reliable spindle sealing
- Antistatic device

---

#### Description

The GEMÜ B42 3-piece 2/2-way metal ball valve is pneumatically operated. The seat seal is made of PTFE.

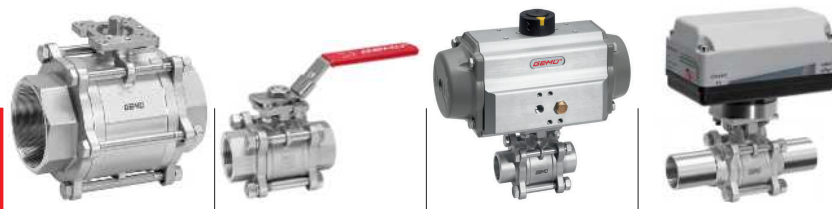
#### Technical specifications

- **Media temperature:** -20 to 180 °C
- **Ambient temperature:** -20 to 60 °C
- **Operating pressure :** 0 to 63 bar
- **Nominal sizes:** DN 8 to 100
- **Body configurations:** 2/2-way body
- **Ball configurations:** Control ball
- **Connection types:** Flange | Spigot | Threaded connection
- **Connection standards:** ASME | DIN | EN | ISO | NPT
- **Body materials:** 1.4408, investment casting material
- **Seal materials:** PTFE
- **Conformities:** ASME GEMÜ B31.3 | ATEX | EAC | FDA | Oxygen | Reg. (EU) No. 10/2011 | Regulation (EC) No. 1935/2004 | Regulation (EC) No. 2023/2006 | TA Luft (German Clean Air Act)

Technical data depends on the respective configuration



## Product line



GEMÜ BB02

GEMÜ B22

GEMÜ B42

GEMÜ B52

### Operation

With bare shaft	●	-	-	-
Manual	-	●	-	-
Pneumatic	-	-	●	-
Motorized	-	-	-	●
<b>Nominal sizes</b>	DN 8 to 100	DN 8 to 100	DN 8 to 100	DN 8 to 100
<b>Media temperature</b>	-40 to 180 °C	-20 to 180 °C	-20 to 180 °C	-20 to 180 °C
<b>Operating pressure</b>	0 to 63 bar	0 to 63 bar	0 to 63 bar	0 to 63 bar
<b>Connection types</b>				
Flange	●	●	●	●
Spigot	●	●	●	●
Threaded connection	●	●	●	●
<b>Conformities</b>				
ASME GEMÜ B31.3	●	●	●	●
ATEX	●	●	●	●
EAC	●	●	●	●
FDA	●	●	●	●
Functional safety	●	-	-	-
Oxygen	●	●	●	●
Reg. (EU) No. 10/2011	●	●	●	●
Regulation (EC) No. 1935/2004	●	●	●	●
Regulation (EC) No. 2023/2006	●	●	●	●
TA Luft (German Clean Air Act)	●	●	●	●

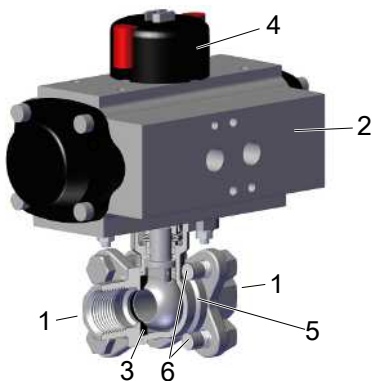
## Comparison of actuator applications



	GEMÜ ADA/ASR	GEMÜ DR/SC	GEMÜ GDR/GSR
<b>Industrial sectors</b>			
Chemical processes	●	●	●
Surface finishing	●	●	●
Water treatment	●	●	●
Mechanical engineering	●	●	●
Power generation and environmental systems	●	●	●
Food processing technology	●	●	●
Semiconductor	●	●	●
Medical systems	●	●	●
Pharmaceutical industry	●	●	●

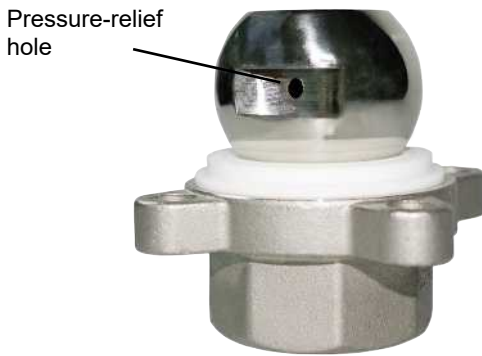
## Product description

### Construction

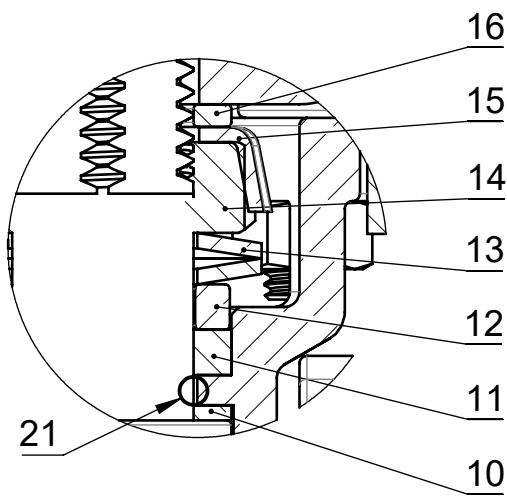


Item	Name	Materials
5	Ball valve body	1.4408 / CF8M
1	Pipe connections	1.4408 / CF8M, 1.4409 / CF3M butt weld connections
2	Pneumatic actuator	Aluminium
4	Position indicator	
6	Bolts	A2 70
3	Seal	PTFE

**Pressure-relief hole**



**The spindle seal system**



Item	Name	Material
10	Seal	PTFE
11	V-ring	PTFE
12	Stainless steel sleeve	SS304-1.4301
13	Spring washer	SS304-1.4301
14	Spindle nut	A2 70
15	Cap	SS304-1.4301
16	Washer	SS304-1.4301
21	O-ring (spindle seal)	Viton

**Long service life due to triple spindle seal**

**- Conical spindle seal:**

The seal 10 arranged at an angle of 45° effectively prevents the leakage of media when operating the spindle

**- O-ring:**

Stabilising spindle seal 21 with low wear and long service life

**- Pretensioned self-adjusting spindle seal:**

The spindle packing consists of several V-rings 11, a spring washer 13 and a stainless steel sleeve 12. The spring washer 13 is pretensioned via the spindle nut 14. The pretension force is distributed to the V-rings 11 via the stainless steel sleeve 12, thereby preventing the leakage of media. The pretension provides low maintenance and reliable spindle sealing even after a long service life.

## Application

- Heating systems
- Beverage industry
- Foodstuff industry
- Chemical industry
- Drinking water installations
- Processing industry
- HVAC

## Availability

Connection types <sup>1)</sup>	Body materials <sup>2)</sup>		Control functions <sup>3)</sup>	
	Code 37	Code C7	Code 1, 2, 3	Code Q, T, U
<b>Spigot (code 17, 19, 59, 60)</b>	-	X	X	-
<b>Threaded socket (code 1, 31)</b>	X	-	X	-
<b>Flange (code 8, 11)</b>	X	-	-	X

### 1) Connection type

Code 1: Threaded socket DIN ISO 228

Code 31: NPT female thread

Code 8: Flange EN 1092, PN 16, form B, face-to-face dimension FTF EN 558 series 1, ISO 5752, basic series 1

Code 11: Flange EN 1092, PN 40, form B, face-to-face dimension FTF EN 558 series 1, ISO 5752, basic series 1

Code 17: Spigot EN 10357 series A/DIN 11866 series A formerly DIN 11850 series 2

Code 19: Spigot DIN EN 12627

Code 59: Spigot ASME BPE/DIN EN 10357 series C (from 2022 edition)/DIN 11866 series C

Code 60: Spigot ISO 1127/DIN EN 10357 series C (2014 edition)/DIN 11866 series B

### 2) Ball valve material

Code 37: 1.4408 / CF8M (body, connection), 1.4401 / SS316 (ball, shaft)

Code C7: 1.4408 / CF8M (body), 1.4409 / CF3M (connection), 1.4401 / SS316 (ball, shaft)

### 3) Control function

Code 1: Normally closed (NC)

Code 2: Normally open (NO)

Code 3: Double acting (DA)

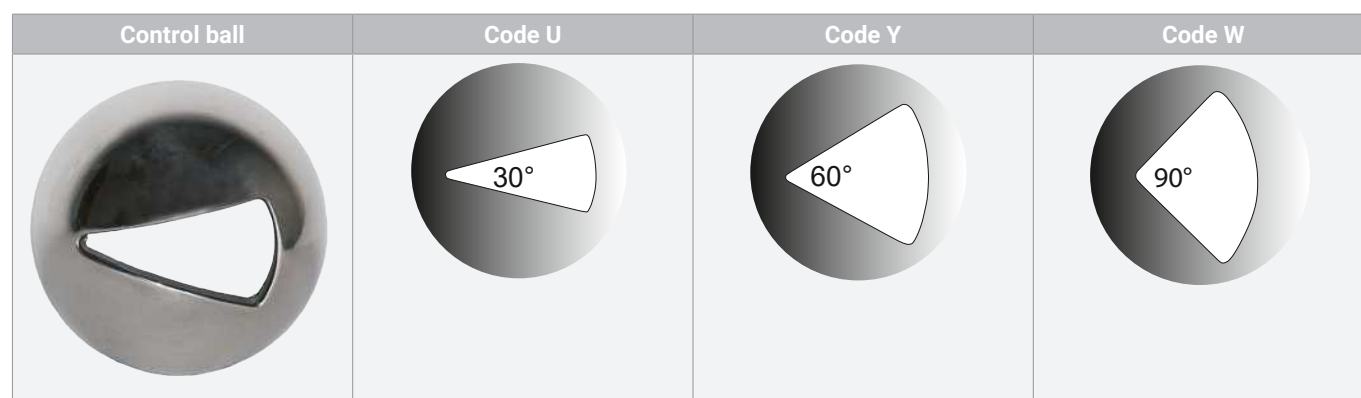
Code Q: Normally closed (NC), actuator mounted across the piping

Code T: Double acting (DA), actuator mounted across the piping

Code U: Normally open (NO), actuator mounted across the piping

## Control ball

### DN 15 to DN 100



Note: The control ball cannot be retrofitted to standard 2/2-way bodies at a later date.

**Actuator assignment****GEMÜ type GDR/GSR**

DN	Double acting GDR	Code	Single acting GSR	Code
8	GDR0032 F03 S09	HR03AT	GSR0050 SC5F03/05 S11	GR05SW
10	GDR0032 F03 S09	HR03AT	GSR0050 SC5F03/05 S11	GR05SW
15	GDR0032 F03 S09	HR03AT	GSR0050 SC5F03/05 S11	GR05SW
20	GDR0050 F03/05 S11	HR05AW	GSR0065 SC5F05/07 S14	GR06SP
25	GDR0050 F03/05 S11	HR05AW	GSR0075 SC5F05/07 S14	GR07SP
32	GDR0050 F03/05 S11	HR05AW	GSR0075 SC5F05/07 S14	GR07SP
40	GDR0065 F05/07 S14	HR06AP	GSR0085 SC5F05/07 S14	GR08SP
50	GDR0085 F05/07 S17	HR08AC	GSR0115 SC5F07/10 S17	GR11SE
65	GDR0085 F05/07 S17	HR08AC	GSR0125 SC5F07/10 S17	GR12SE
80	GDR0085 F05/07 S17	HR08AC	GSR0125 SC5F07/10 S17	GR12SE
100	GDR0100 F07/10 S17	HR10AE	GSR0140 SC5F10/12 S22	GR14SA

**GEMÜ type ADA/ASR**

DN	Double acting	Code	Single acting	Code
8	ADA0020U F04 S14S11	BU02AA	ASR0020US08 F04 S14S11	AU02FA
10	ADA0020U F04 S14S11	BU02AA	ASR0020US08 F04 S14S11	AU02FA
15	ADA0020U F04 S14S11	BU02AA	ASR0020US08 F04 S14S11	AU02FA
20	ADA0020U F04 S14S11	BU02AA	ASR0040US14 F04 S14 S11	AU04KA
25	ADA0040U F05 S14S11	BU04AB	ASR0040US14 F05 S14 S11	AU04KB
32	ADA0040U F05 S14S11	BU04AB	ASR0040US14 F05 S14S11	AU04KB
40	ADA0040U F05 S14S11	BU04AB	ASR0080US14 F05/07 S17S14	AU08KC
50	ADA0080U F05/F07 S17S14	BU08AC	ASR0200 US14 F05/07 S17S14	AU20KE
65	ADA0080U F05/F07 S17S14	BU08AC	ASR0300US14 F07/10 S22	AU30KD
80	ADA0130U F05/F07 S17S14	BU13AC	ASR0300US14 F07/10 S22	AU30KD
100	ADA0200U F07/F10 S17S14	BU20AC	ASR0500US14 F07/10 S22	AU50KD

**GEMÜ type DR/SC**

DN	Double acting DR	Code	Single acting SC	Code
8	DR0015U F04 S11	DU01AO	SC0015USC8F04 S11	SU01VO
10	DR0015U F04 S11	DU01AO	SC0015USC8F04 S11	SU01VO
15	DR0015U F04 S11	DU01AO	SC0015USC8F04 S11	SU01VO
20	DR0015U F04 S11	DU01AO	SC0030U 6F04 S11	SU03KO
25	DR0030U F05/07 S14	DU03AP	SC0060U 6F05/07 S14	SU06KP
32	DR0030U F05/07 S14	DU03AP	SC0060U 6F05/07 S14	SU06KP
40	DR0030U F05/07 S14	DU03AP	SC0100U 6F05/07 S17D11	SU10KC
50	DR0060U F05/07 S17	DU06AC	SC0150U 6F05/07 S17	SU15KC
65	DR0060U F05/07 S17	DU06AC	SC0220U 6F07/10 S22	SU22KD
80	DR0100U F05/07 S17	DU10AC	SC0220U 6F07/10 S22	SU22KD
100	DR0150U F07/10 S22	DU15AD	SC0450U 6F10/12 S27	SU45KG

## Order data

The order data provide an overview of standard configurations.

Please check the availability before ordering. Other configurations available on request.

Products ordered with **bold marked ordering options** are so-called preferred series. Depending on the nominal size, these are available more quickly.

## Order codes

1 Type	Code
Ball valve, metal, pneumatically operated, three-piece body, aluminium double piston actuator, low-maintenance spindle seal and blow-out proof shaft, with anti-static unit	B42

2 DN	Code
DN 8	8
DN 10	10
DN 15	15
DN 20	20
DN 25	25
DN 32	32
DN 40	40
DN 50	50
DN 65	65
DN 80	80
DN 100	100

3 Body/ball configuration	Code
<b>2/2-way body</b>	<b>D</b>
2/2-way body, V-ball 30° (for Kv value see datasheet)	U
2/2-way body, V-ball 90° (for Kv value see datasheet)	W
2/2-way body, V-ball 60° (for Kv value see datasheet)	Y

4 Connection type	Code
Spigot	
Spigot EN 10357 series A/DIN 11866 series A formerly DIN 11850 series 2	17
<b>Spigot DIN EN 12627</b>	<b>19</b>
Spigot ASME BPE/DIN EN 10357 series C (from 2022 edition)/DIN 11866 series C	59
<b>Spigot ISO 1127/DIN EN 10357 series C (2014 edition)/DIN 11866 series B</b>	<b>60</b>
Threaded socket	
<b>Threaded socket DIN ISO 228</b>	<b>1</b>
NPT female thread	31
Flange	
Flange EN 1092, PN 16, form B, face-to-face dimension FTF EN 558 series 1, ISO 5752, basic series 1	8

4 Connection type	Code
<b>Flange EN 1092, PN 40, form B, face-to-face dimension FTF EN 558 series 1, ISO 5752, basic series 1</b>	<b>11</b>

5 Ball valve material	Code
<b>1.4408 / CF8M (body, connection), 1.4401 / SS316 (ball, shaft)</b>	<b>37</b>
1.4408 / CF8M (body), 1.4409 / CF3M (connection), 1.4401 / SS316 (ball, shaft)	C7

6 Seal material	Code
<b>PTFE</b>	<b>5</b>

7 Control function	Code
Normally closed (NC)	1
Normally open (NO)	2
Double acting (DA)	3
Normally closed (NC), actuator mounted across the piping	Q
Double acting (DA), actuator mounted across the piping	T
Normally open (NO), actuator mounted across the piping	U

8 Actuator version	Code
<b>Actuator GEMÜ GDR</b>	
Actuator, pneumatic, double acting, clockwise rotation, GDR0032 F03 S09	HR03AT
Actuator, pneumatic, double acting, clockwise rotation, GDR0050 F03/05 S11	HR05AW
Actuator, pneumatic, double acting, clockwise rotation, GDR0065 F05/07 S14	HR06AP
Actuator, pneumatic, double acting, clockwise rotation, GDR0085 F05/07 S17	HR08AC
Actuator, pneumatic, double acting, clockwise rotation, GDR0100 F07/10 S17	HR10AE
<b>Actuator GEMÜ GSR</b>	
Actuator, pneumatic, single acting, clockwise rotation, spring closing, GSR0050 SC5F03/05 S11	GR05SW
Actuator, pneumatic, single acting, clockwise rotation, spring closing, GSR0065 SC5F05/07 S14	GR06SP
Actuator, pneumatic, single acting, clockwise rotation, spring closing, GSR0075 SC5F05/07 S14	GR07SP
Actuator, pneumatic, single acting, clockwise rotation, spring closing, GSR0085 SC5F05/07 S14	GR08SP

## Order data

8 Actuator version	Code
Actuator, pneumatic, single acting, clockwise rotation, spring closing, GSR0115 SC5F07/10 S17	GR11SE
Actuator, pneumatic, single acting, clockwise rotation, spring closing, GSR0125 SC5F07/10 S17	GR12SE
Actuator, pneumatic, single acting, clockwise rotation, spring closing, GSR0140 SC5F10/12 S22	GR14SA
<b>Actuator GEMÜ ADA</b>	
Actuator, pneumatic, double acting, clockwise rotation, ADA0020U F04 S14S11	BU02AA
Actuator, pneumatic, double acting, clockwise rotation, ADA0040U F05 S14S11	BU04AB
Actuator, pneumatic, double acting, clockwise rotation, ADA0080U F05/07S17S14	BU08AC
Actuator, pneumatic, double acting, clockwise rotation, ADA0130U F05/07S17S14	BU13AC
Actuator, pneumatic, double acting, clockwise rotation, ADA0200U F07/10S17S14	BU20AE
<b>Actuator GEMÜ ASR</b>	
Actuator, pneumatic, single acting, clockwise rotation, spring closing, ASR0020US08F04 S14S11	AU02FA
Actuator, pneumatic, single acting, clockwise rotation, spring closing, ASR0040US14F04 S14S11	AU04KA
Actuator, pneumatic, single acting, clockwise rotation, spring closing, ASR0040US14F05 S14S11	AU04KB
Actuator, pneumatic, single acting, clockwise rotation, spring closing, ASR0080US14F05/07S17S14	AU08KC
Actuator, pneumatic, single acting, clockwise rotation, spring closing, ASR0130US14F05/07S17S14	AU13KC
Actuator, pneumatic, single acting, clockwise rotation, spring closing, ASR0300US14F07/10 S22	AU30KD
Actuator, pneumatic, single acting, clockwise rotation, spring closing, ASR0500US14F07/10 S22	AU50KD
<b>Actuator GEMÜ DR</b>	
Actuator, pneumatic, double acting, clockwise rotation, DR0015U F04 S11	DU01AO
Actuator, pneumatic, double acting, clockwise rotation, DR0030U F05/07 S14	DU03AP
Actuator, pneumatic, double acting, clockwise rotation, DR0060U F05/07 S17	DU06AC
Actuator, pneumatic, double acting, clockwise rotation, DR0100U F05/07 S17	DU10AC
Actuator, pneumatic, double acting, clockwise rotation, DR0150U F07/10 S22	DU15AD
<b>Actuator GEMÜ SC</b>	
Actuator, pneumatic, single acting, clockwise rotation, spring closing, SC0015USC8F04 S11	SU01VO

8 Actuator version	Code
Actuator, pneumatic, single acting, clockwise rotation, spring closing, SC0030U 6F04 S11	SU03KO
Actuator, pneumatic, single acting, clockwise rotation, spring closing, SC0030U 6F05/07 S14	SU03KP
Actuator, pneumatic, single acting, clockwise rotation, spring closing, SC0060U 6F05/07 S14	SU06KP
Actuator, pneumatic, single acting, clockwise rotation, spring closing, SC0100U 6F05/07S17D11	SU10KC
Actuator, pneumatic, single acting, clockwise rotation, spring closing, SC0150U 6F05/07 S17	SU15KC
Actuator, pneumatic, single acting, clockwise rotation, spring closing, SC0220U 6F07/10 S22	SU22KD
Actuator, pneumatic, single acting, clockwise rotation, spring closing, SC0450U 6F10/12 S27	SU45KG

9 Actuator particulars	Code
Gen. industrial version, housing alu, anodising layer 25-35µm, end caps alu, powder coated, shaft C steel + ENP, bolts A2	0

10 Type of design	Code
Standard	
Media wetted area cleaned to ensure suitability for paint applications, parts sealed in plastic bag	0101
Valve free of oil and grease, media wetted area cleaned and packed in PE bag	0107
Thermal separation between actuator and valve body via mounting kit	5222
Thermal separation between actuator and valve body via mounting kit, mounting kit and mounting parts made from stainless steel	5227
K-no. 0101, K-no. 5227, 0101 - Media wetted area cleaned to ensure suitability for paint applications, 5227 - Thermal separation via mounting kit	5238
K-no. 0107, K-no. 5227, 0107 - Media wetted area cleaned to ensure suitability for paint applications, 5227 - Thermal separation via mounting kit	5239

11 Special version	Code
Without	
Special version for oxygen maximum medium temperature: 60 °C, Media wetted materials cleaned, and grease and seal with BAM testing	O
ASME B31.3	P

12 CONEXO	Code
Without	



12 CONEXO	Code
Integrated RFID chip for electronic identification and traceability	C

### Order example

Ordering option	Code	Description
1 Type	B42	Ball valve, metal, pneumatically operated, three-piece body, aluminium double piston actuator, low-maintenance spindle seal and blow-out proof shaft, with anti-static unit
2 DN	15	DN 15
3 Body/ball configuration	D	2/2-way body
4 Connection type	1	Threaded socket DIN ISO 228
5 Ball valve material	37	1.4408 / CF8M (body, connection), 1.4401 / SS316 (ball, shaft)
6 Seal material	5	PTFE
7 Control function	3	Double acting (DA)
8 Actuator version	BU02AA	Actuator, pneumatic, double acting, clockwise rotation, ADA0020U F04 S14S11
9 Actuator particulars	0	Gen. industrial version, housing alu, anodising layer 25-35µm, end caps alu, powder coated, shaft C steel + ENP, bolts A2
10 Type of design		Standard
11 Special version		Without
12 CONEXO		Without

## Technical data

### Medium

**Working medium:** Corrosive, inert, gaseous and liquid media and steam which have no negative impact on the physical and chemical properties of the body and seal material.

### Temperature

**Media temperature:** Connection code 17, 19, 59, -10 – 180 °C  
60: Connection code 1, 31, 8, 11: -20 – 180 °C  
For media temperatures > 100 °C, we recommend using a mounting kit with adapter between the ball valve and the actuator.

**Ambient temperature:** -20 – 60 °C

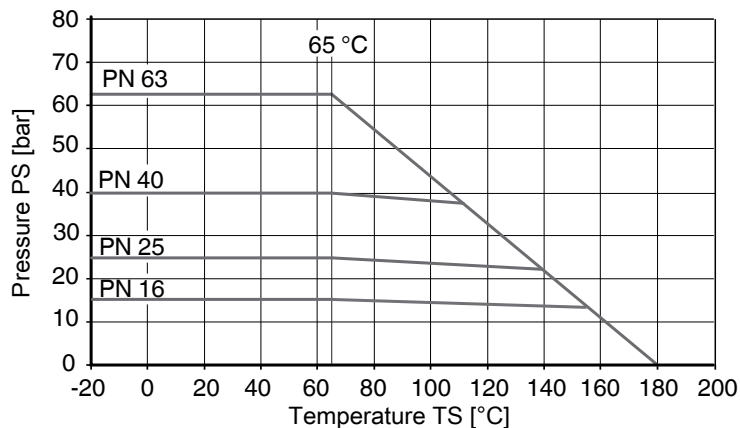
**Storage temperature:** -60 – 60 °C

### Pressure

**Operating pressure:** 0 – 63 bar

**Vacuum:** Can be used up to a vacuum of 50 mbar (absolute)  
These values apply to room temperature and air. The values may deviate for other media and other temperatures.

**Pressure/temperature diagram:**



#### Note media temperature

Pressure/temperature data in accordance with diagram refers to static operating conditions. Strongly fluctuating or fast-changing parameters can lead to a reduction of the service life. Special applications must be talked through with your technical contact person in advance.

**Leakage rate:** Leakage rate according to ANSI FCI70 – B16.104  
Leakage rate according to EN12266, 6 bar air, leakage rate A

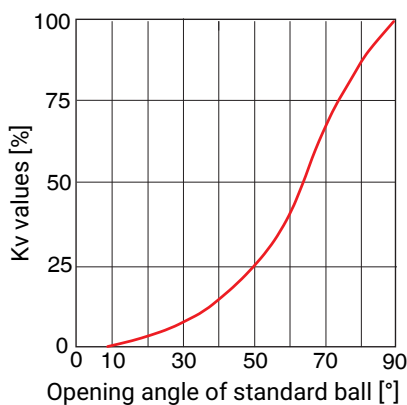
**Kv values:**

**Standard ball (code D)**

DN	NPS	Kv values
8	1/4"	8.0
10	3/8"	8.0
15	1/2"	17.0
20	3/4"	34.0
25	1"	60.0
32	1¼"	94.0
40	1½"	213.0
50	2"	366.0
65	2½"	595.0
80	3"	935.0
100	4"	1700.0

Kv values in m³/h

**Diagrammatic view**



**V-ball 30° (code U)**

DN	NPS	Opening angle										
		0	15%	20%	30%	40%	50%	60%	70%	80%	90%	100%
15	1/2"	0	0.085	0.085	0.170	0.255	0.425	0.680	0.935	1.360	1.870	2.210
20	3/4"	0	0.085	0.170	0.425	0.595	0.935	1.530	2.040	2.805	3.825	4.590
25	1"	0	0.085	0.255	0.680	1.105	1.955	2.975	4.335	5.961	8.128	8.500
32	1¼"	0	0.170	0.340	0.935	1.700	3.145	4.675	6.800	8.500	11.050	12.750
40	1½"	0	0.255	0.510	1.360	2.550	4.250	6.375	9.350	11.900	14.450	17.000
50	2"	0	0.340	1.020	3.230	5.100	8.500	12.75	19.550	26.350	36.550	51.000
65	2½"	0	0.340	0.850	3.400	6.800	10.200	15.300	23.800	31.450	52.70	63.750
80	3"	0	0.425	1.020	3.400	6.800	11.900	19.550	28.050	39.100	55.250	69.700
100	4"	0	0.510	1.700	5.100	12.750	24.650	40.800	60.350	85.000	110.50	135.20

Kv values in m³/h

**Kv values:**

**V-ball 60° (code Y)**

DN	NPS	Opening angle										
		0	15%	20%	30%	40%	50%	60%	70%	80%	90%	100%
15	1/2"	0	0.085	0.085	0.255	0.425	0.765	1.190	1.700	2.805	3.740	5.100
20	3/4"	0	0.085	0.170	0.595	0.850	1.445	2.380	3.400	5.525	7.650	10.200
25	1"	0	0.170	0.340	0.935	1.530	2.890	4.505	6.715	10.46	13.010	17.850
32	1¼"	0	0.170	0.510	1.530	2.550	4.675	8.075	10.880	16.15	22.100	33.150
40	1½"	0	0.340	0.680	2.125	3.400	6.800	11.050	16.150	22.95	34.000	44.200
50	2"	0	0.340	1.275	3.910	7.650	14.030	22.950	33.150	46.75	70.550	93.500
65	2½"	0	0.340	1.275	4.250	8.500	17.850	28.900	45.050	63.75	87.550	127.50
80	3"	0	0.425	2.125	5.100	11.900	21.250	34.000	55.250	77.35	108.80	140.30
100	4"	0	0.595	2.550	9.350	21.250	34.000	50.150	76.500	119.9	180.20	302.60

Kv values in m³/h

**V-ball 90° (code W)**

DN	NPS	Opening angle										
		0	15%	20%	30%	40%	50%	60%	70%	80%	90%	100%
15	1/2"	0	0.085	0.170	0.340	0.510	0.765	1.275	1.870	3.230	4.590	5.865
20	3/4"	0	0.170	0.340	0.680	1.020	1.700	2.635	3.910	6.800	9.605	11.900
25	1"	0	0.170	0.510	1.530	2.890	4.335	6.885	9.690	13.600	17.850	24.650
32	1¼"	0	0.255	0.680	1.700	4.250	6.800	11.900	16.150	23.800	33.150	46.750
40	1½"	0	0.425	0.765	2.975	5.950	11.050	17.000	26.350	35.700	53.550	66.300
50	2"	0	0.595	1.700	5.100	10.200	18.700	29.750	38.250	59.500	89.250	114.80
65	2½"	0	0.425	1.445	5.950	11.900	23.800	40.800	59.500	90.100	136.00	185.30
80	3"	0	0.595	2.975	6.800	15.300	29.750	51.000	76.500	114.80	174.30	263.50
100	4"	0	0.850	2.975	13.600	34.000	63.750	106.30	161.50	250.80	375.70	569.50

Kv values in m³/h

**Pressure rating:**

DN	Spigot				Threaded socket		Flange	
	Connection type code <sup>1)</sup>							
	17	19	59	60	1	31	8	11
8	-	PN63	-	PN63	PN63	PN63	-	-
10	PN63	PN63	-	PN63	PN63	PN63	-	-
15	PN63	PN63	PN63	PN63	PN63	PN63	-	PN40
20	PN63	PN63	PN63	PN63	PN63	PN63	-	PN40
25	PN63	PN63	PN63	PN63	PN63	PN63	-	PN40
32	PN63	PN63	-	PN63	PN63	PN63	-	PN40
40	PN63	PN63	PN63	PN63	PN63	PN63	-	PN40
50	PN63	PN63	PN63	PN63	PN63	PN63	-	PN40
65	PN40	PN40	PN40	PN40	PN40	PN40	PN16	PN40*
80	PN40	PN40	PN40	PN40	PN40	PN40	PN16	-
100	PN25	PN25	PN25	PN25	PN25	PN25	PN16	-

\* on request

1) **Connection type**

Code 1: Threaded socket DIN ISO 228

Code 31: NPT female thread

Code 8: Flange EN 1092, PN 16, form B, face-to-face dimension FTF EN 558 series 1, ISO 5752, basic series 1

Code 11: Flange EN 1092, PN 40, form B, face-to-face dimension FTF EN 558 series 1, ISO 5752, basic series 1

Code 17: Spigot EN 10357 series A/DIN 11866 series A formerly DIN 11850 series 2

Code 19: Spigot DIN EN 12627

Code 59: Spigot ASME BPE/DIN EN 10357 series C (from 2022 edition)/DIN 11866 series C

Code 60: Spigot ISO 1127/DIN EN 10357 series C (2014 edition)/DIN 11866 series B

**Control pressure:** 6 – 8 bar

**Product conformities**

**Machinery Directive:** 2006/42/EC

**Pressure equipment standards:** ASME GEMÜ B31.3 (DN 15 – 100)  
2014/68/EU

**Food:** FDA  
Regulation (EC) No. 10/2011  
Regulation (EC) No. 1935/2006

**Explosion protection:** ATEX (2014/34/EU), order code Special version X

**ATEX marking:** The ATEX marking of the product depends on the respective product configuration with valve body and actuator. It can be found in the product-specific ATEX documentation and the ATEX type plate.

**Oxygen:** BAM compliant, the product is suitable for application with oxygen

**Mechanical data**

**90° travel:** GEMÜ GDR/GSR: ±5° adjustable (85° - 95°)  
GEMÜ ADA /ASR: ±5° adjustable (85° - 95°)  
GEMÜ DR /SC: 20° adjustable (75° - 95°)

**Weight:**

**Ball valve**

DN	NPS	Threaded connection, spigot	Flange
8	1/4"	0.55	1.15
10	3/8"	0.55	1.15
15	1/2"	0.6	1.35
20	3/4"	0.7	1.45
25	1"	0.8	1.8
32	1¼"	1.2	2.4
40	1½"	2.3	3.5
50	2"	3.5	4.9
65	2½"	6.9	9.3
80	3"	11.7	14.7
100	4"	19.3	22.3

Weights in kg

**Actuator type GDR/GSR**

Type	GDR Double act- ing	GSR Single acting
0032	0.5	-
0050	1.1	1.2
0065	1.5	1.8
0075	2.6	3.2
0085	3.4	4.3
0100	5.1	6.6
0115	8.0	10.6
0125	10.0	13.4
0140	11.0	17.2

Weights in kg

**Actuator type ADA/ASR**

Type	ADA Double act- ing	ASR Single acting
0020U	1.4	1.5
0040U	2.1	2.3
0080U	3.0	3.7
0130U	3.8	4.8
0200U	5.6	7.3
0300U	8.5	10.8

Weights in kg

**Weight:**

**Actuator DR/SC**

Type	DR Double act- ing	SC Single acting
<b>0015U</b>	1.0	1.1
<b>0030U</b>	1.6	1.7
<b>0060U</b>	2.7	3.1
<b>0100U</b>	3.7	4.3
<b>0150U</b>	5.2	6.1
<b>0220U</b>	8.0	9.3
<b>0300U</b>	9.8	12.0

Weights in kg

**Torques:**

DN	NPS	Breakaway torque
<b>8</b>	<b>1/4"</b>	6.0
<b>10</b>	<b>3/8"</b>	6.0
<b>15</b>	<b>1/2"</b>	6.0
<b>20</b>	<b>3/4"</b>	10.0
<b>25</b>	<b>1"</b>	11.0
<b>32</b>	<b>1¼"</b>	17.0
<b>40</b>	<b>1½"</b>	28.0
<b>50</b>	<b>2"</b>	53.0
<b>65</b>	<b>2½"</b>	76.0
<b>80</b>	<b>3"</b>	89.0
<b>100</b>	<b>4"</b>	138.0

Torques in Nm

A safety factor of 1.2 is included

With dry, non-lubricating media the breakaway torque may be increased.

Valid for clean, non-particulate and oil-free media (water, alcohol, etc.), gas or saturated steam (clean and wet).

PTFE seal.

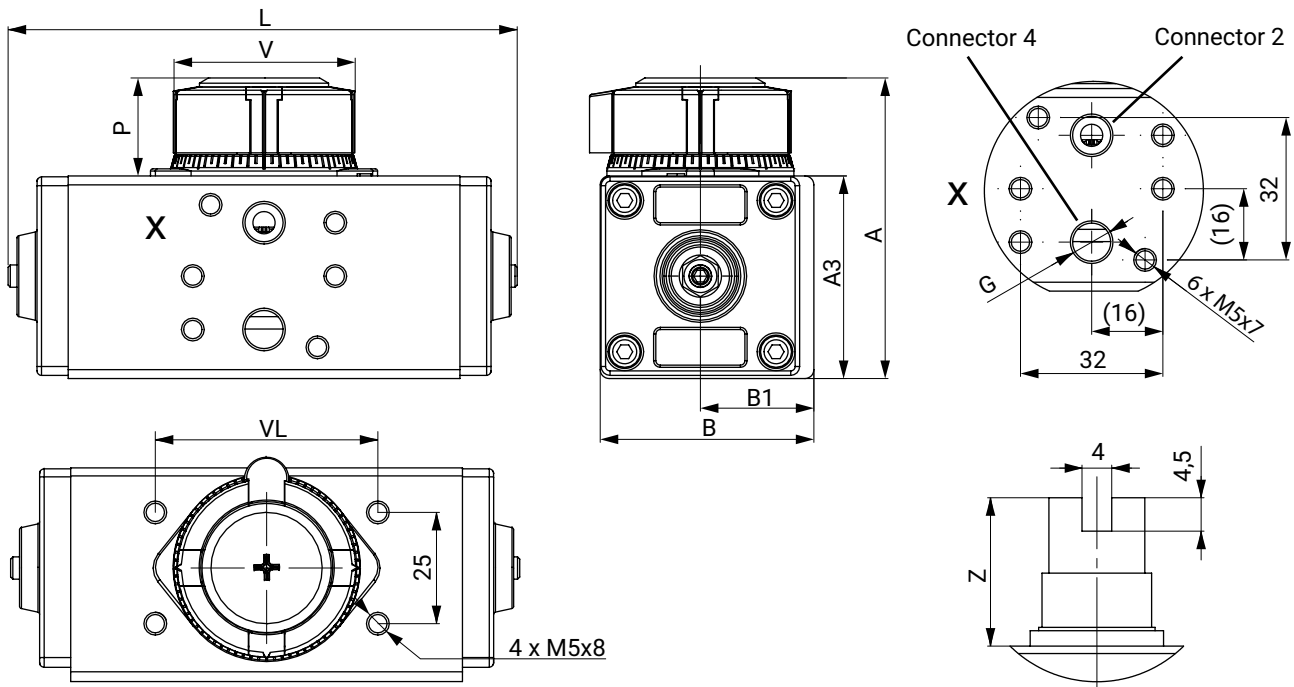
## Dimensions

### Actuator dimensions

Note on actuator mounting:  
 Standard mounting orientation – actuator positioned in-line with piping  
 Only with flanged connections the actuator is mounted across the piping

### Actuator type GDR/GSR

#### Type G0032



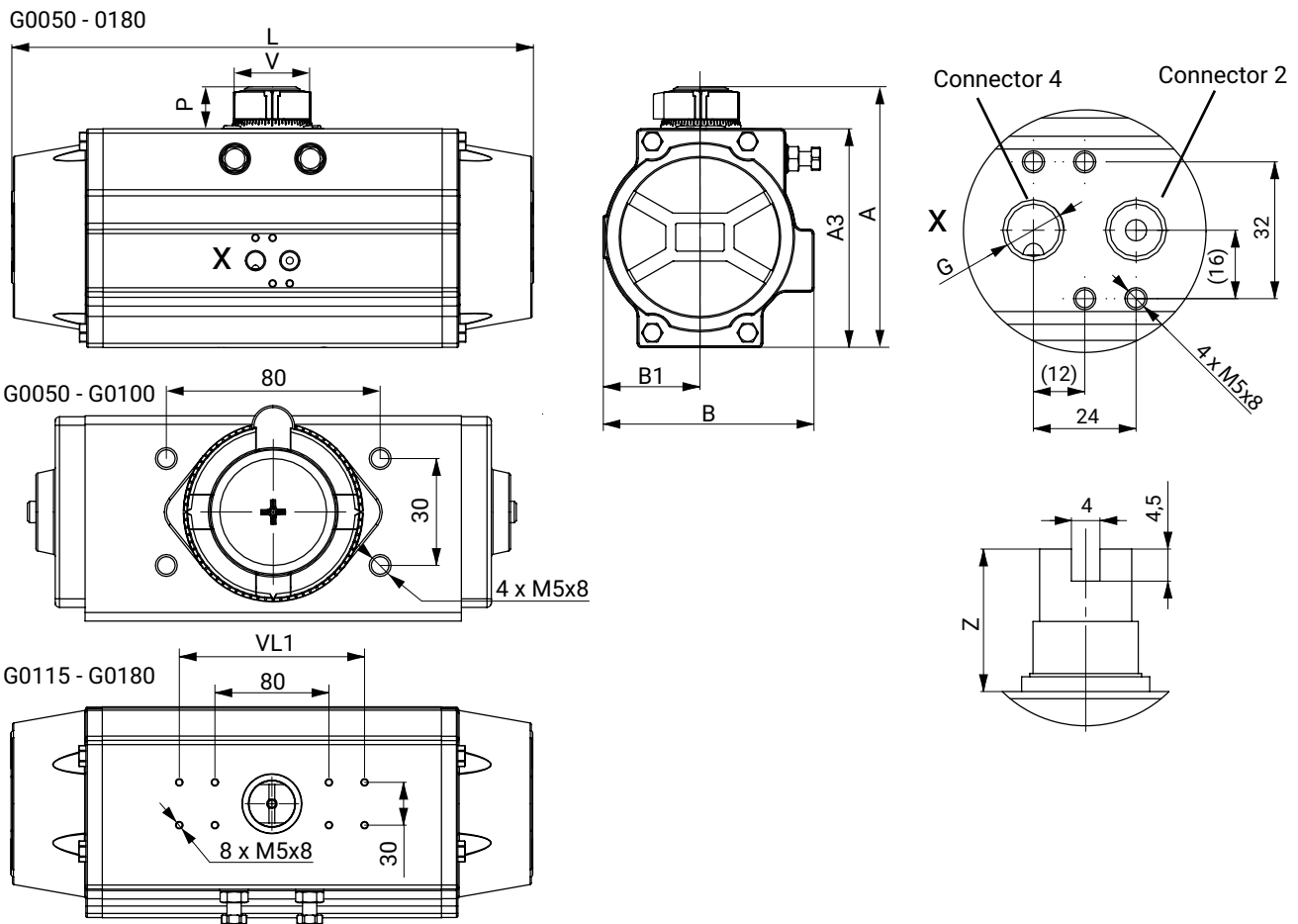
The control air connector (view X) for GDR0032 is not compatible for direct mounting with a Namur pilot valve, or a throttle of type 8500/8506.  
 Provide the control air connector with external thread fittings and a compressed air hose

Type	A	A3	B	B1	V	G	P	VL	Z	L
<b>G0032</b>	67.5	45.5	49.0	26.5	40.0	G1/8"	22.0	50.0	20.0	115.0

Dimensions in mm



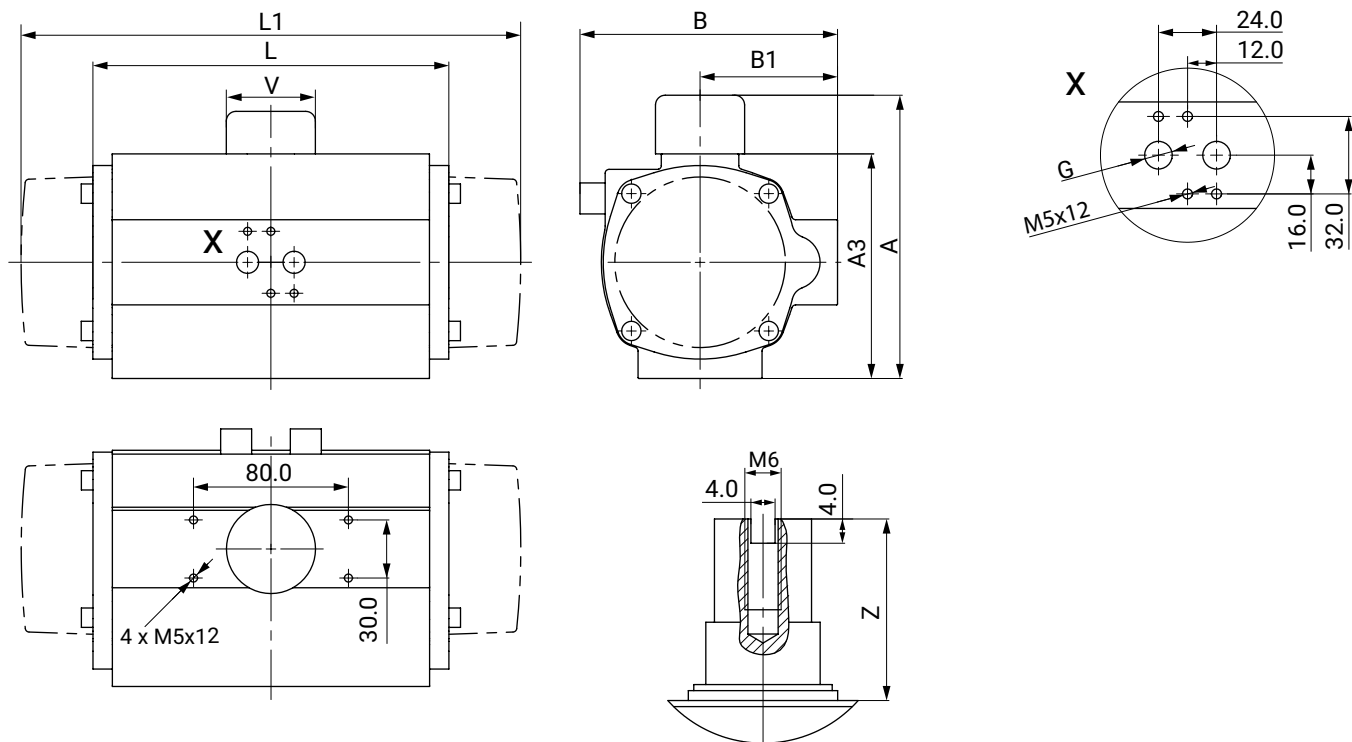
Type G0050 – G0180



Type	A	A3	B	B1	V	G	P	VL	Z	L	VL1
G0050	92.0	70.0	71.0	30.0	40.0	G1/8"	22.0	80.0	20.0	141.0	-
G0065	102.5	80.5	80.5	35.5	40.0	G1/8"	22.0	80.0	20.0	162.0	-
G0075	119.0	97.0	94.5	42.0	40.0	G1/8"	22.0	80.0	20.0	208.0	-
G0085	130.5	108.5	106.0	47.5	40.0	G1/8"	22.0	80.0	20.0	237.0	-
G0100	143.5	121.5	123.0	55.0	40.0	G1/4"	22.0	80.0	20.0	271.5	-
G0115	174.0	142.0	137.0	64.0	65.0	G1/4"	32.0	80.0	30.0	337.0	130.0
G0125	185.5	153.5	148.0	68.0	65.0	G1/4"	32.0	80.0	30.0	366.0	130.0
G0140	207.9	175.9	164.0	76.5	65.0	G1/4"	32.0	80.0	30.0	428.5	130.0
G0160	225.0	193.0	188.0	88.0	65.0	G1/4"	32.0	80.0	30.0	512.0	130.0
G0180	251.0	219.0	212.5	96.5	65.0	G1/4"	32.0	80.0	30.0	573.0	130.0

Dimensions in mm

**Actuator type ADA/ASR**

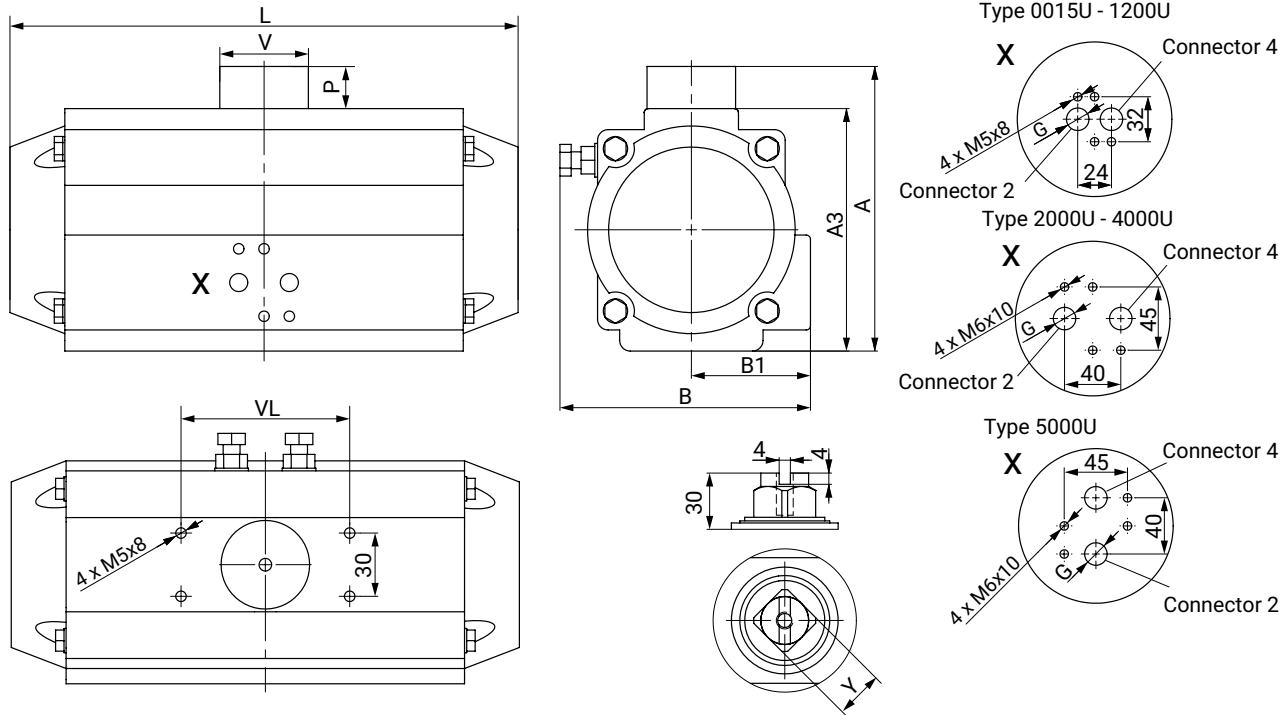


Type	A	A3	B	B1	G	L	L1	V	Z
0020U	96.0	66.0	76.0	48.0	G1/4"	145.0	163.0	40.0	30.0
0040U	115.0	85.0	91.0	56.0	G1/4"	158.0	195.0	40.0	30.0
0080U	137.0	107.0	111.0	66.0	G1/4"	177.0	217.0	40.0	30.0
0130U	147.0	117.0	122.0	71.0	G1/4"	196.0	258.0	40.0	30.0
0200U	165.0	135.0	135.5	78.0	G1/4"	225.0	299.0	40.0	30.0
0300U	182.0	152.0	152.5	86.0	G1/4"	273.0	348.5	40.0	30.0
0500U	199.0	169.0	173.0	96.0	G1/4"	304.0	397.0	40.0	30.0

Dimensions in mm

**Actuator type DR/SC**

Actuator dimensions

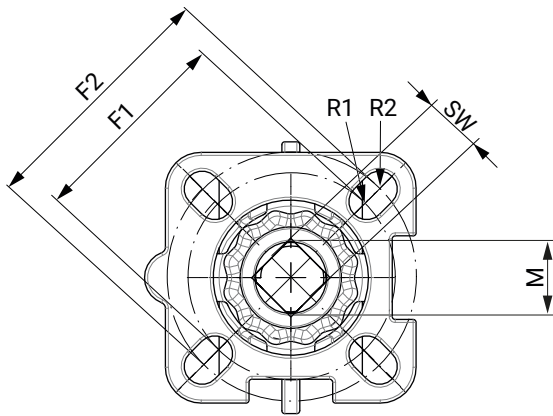


Type	A	A3	B	B1	V	VL	G	P	L	Y
0015U	89.0	69.0	72.0	43.0	42.0	80.0	G1/8"	20.0	136.0	11.0
0030U	105.0	85.0	84.5	48.5	42.0	80.0	G1/8"	20.0	153.5	11.0
0060U	122.0	102.0	93.0	50.5	42.0	80.0	G1/8"	20.0	203.5	17.0
0100U	135.0	115.0	106.0	56.5	42.0	80.0	G1/8"	20.0	241.0	17.0
0150U	147.0	127.0	118.5	63.0	42.0	80.0	G1/4"	20.0	259.0	17.0
0220U	175.0	145.0	136.0	72.0	58.0	80.0	G1/4"	30.0	304.0	27.0
0300U	187.0	157.0	146.5	77.0	58.0	80.0	G1/4"	30.0	333.0	27.0
0450U	207.0	177.0	166.0	86.0	67.5	80.0	G1/4"	30.0	394.5	27.0

Dimensions in mm

**Ball valve**

**Actuator flange**

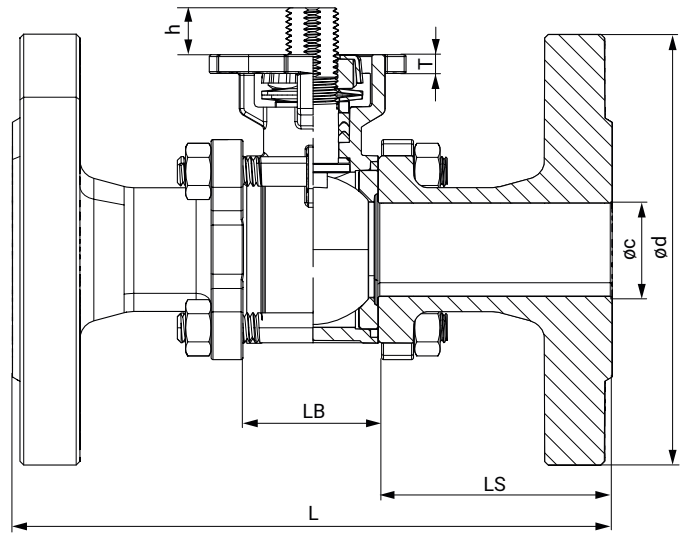
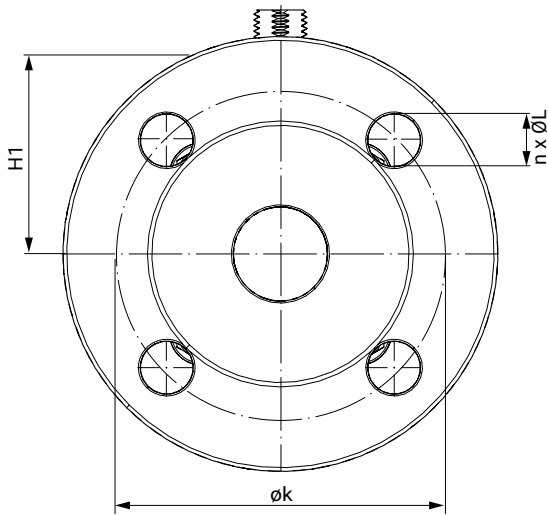


DN	G	F1	ISO 5211	R1	F2	ISO 5211	R2	SW	M
8	1/4"	36.0	F03	3.0	42.0	F04	3.0	9.0	M12
10	3/8"	36.0	F03	3.0	42.0	F04	3.0	9.0	M12
15	1/2"	36.0	F03	3.0	42.0	F04	3.0	9.0	M12
20	3/4"	36.0	F03	3.0	42.0	F04	3.0	9.0	M12
25	1"	42.0	F04	3.0	50.0	F05	3.5	11.0	M14
32	1 1/4"	42.0	F04	3.0	50.0	F05	3.5	11.0	M14
40	1 1/2"	50.0	F05	3.5	70.0	F07	4.5	14.0	M18
50	2"	50.0	F05	3.5	70.0	F07	4.5	14.0	M18
65	2 1/2"	50.0	F05	3.5	70.0	F07	4.5	14.0	M18
80	3"	70.0	F07	5.0	102.0	F10	6.0	17.0	M22
100	4"	70.0	F07	5.0	102.0	F10	6.0	17.0	M22

Dimensions in mm

**Body dimensions**

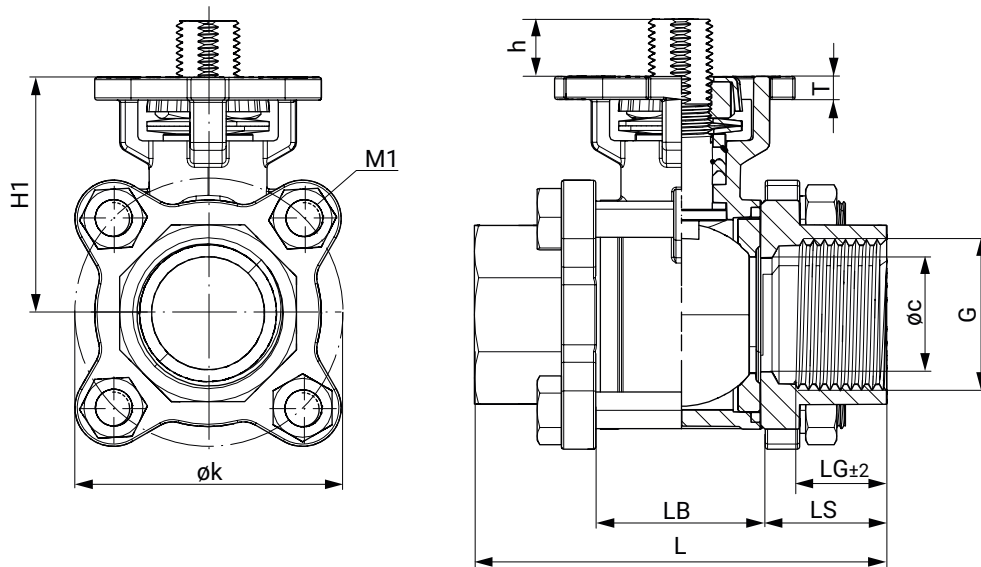
**Flange (connection code 8, 11)**



DN	Conne- tion code	øc	ød	øk	h	L	LB	LS	H1	T	n x ØL
15	11	15.0	95.0	65.0	9.0	130.0	24.0	53.0	40.5	5.5	4 x 14.0
20	11	20.0	105.0	75.0	10.5	150.0	29.0	60.5	45.0	5.5	4 x 14.0
25	11	25.0	115.0	85.0	12.5	160.0	35.0	62.5	52.0	5.0	4 x 14.0
32	11	32.0	140.0	100.0	12.5	180.0	44.0	68.0	57.0	6.5	4 x 18.0
40	11	38.0	150.0	110.0	16.0	200.0	53.0	73.5	69.0	7.5	4 x 18.0
50	11	49.0	165.0	125.0	16.0	230.0	65.0	82.5	77.0	8.5	4 x 18.0
65	8	65.0	185.0	145.0	15.0	290.0	81.0	104.5	90.0	8.5	4 x 18.0
80	8	76.0	200.0	160.0	18.0	310.0	96.0	107.0	108.0	10.0	8 x 18.0
100	8	100.0	220.0	180.0	18.0	350.0	124.0	113.0	123.0	10.0	8 x 18.0

Dimensions in mm

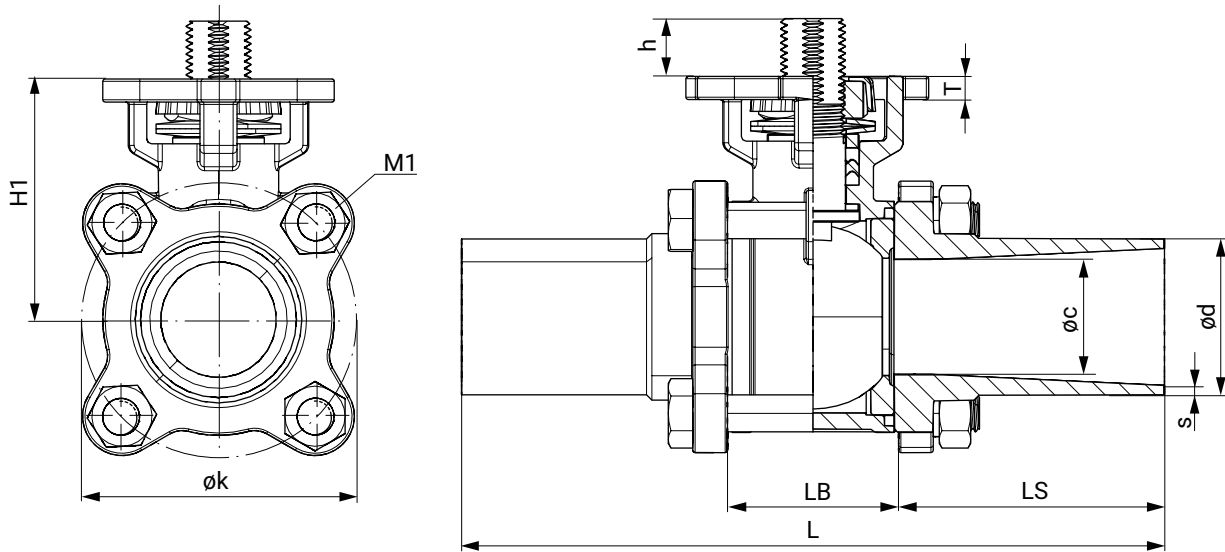
**Threaded socket (connection code 1, 31)**



DN	G	øc	øk	h	LG	L	LB	LS	H1	M1	T
8	1/4"	10.0	46.0	9.0	12.0	55.0	24.0	15.5	40.5	M8	12.0
10	3/8"	12.0	46.0	9.0	12.0	60.0	24.0	18.0	40.5	M8	14.0
15	1/2"	15.0	46.0	9.0	16.0	75.0	24.0	25.5	40.5	M8	16.0
20	3/4"	20.0	51.0	10.5	16.0	80.0	29.0	25.5	45.0	M8	16.0
25	1"	25.0	61.0	12.5	17.0	90.0	35.0	27.5	52.0	M8	17.0
32	1¼"	32.0	73.0	12.5	20.0	110.0	44.0	33.0	57.0	M10	20.0
40	1½"	38.0	83.0	16.0	22.0	120.0	53.0	33.5	69.0	M10	22.0
50	2"	49.0	101.0	16.0	24.0	140.0	65.0	37.5	77.0	M12	24.0
65	2½"	64.0	130.0	15.0	28.0	185.0	81.0	52.0	90.0	M12	28.0
80	3"	76.0	155.0	18.0	32.0	205.0	96.0	54.5	108.0	M14	32.0
100	4"	100.0	187.0	18.0	40.0	240.0	124.0	58.0	123.0	M14	40.0

Dimensions in mm

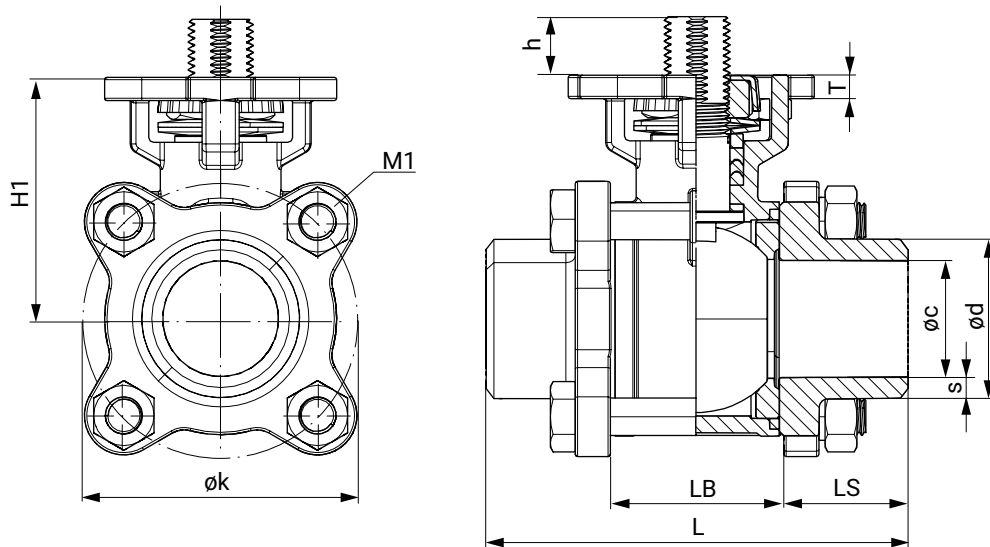
**Spigot EN 10357 series A (connection code 17)**



DN	øc	ød	h	øk	s	L	LB	LS	H1	M1	SW	T
10	10.0	13.0	9.0	46.0	1.5	120.0	24.0	48.0	40.5	M8	18.0	5.5
15	15.0	19.0	9.0	46.0	1.5	140.2	24.0	58.0	40.5	M8	18.0	5.5
20	20.0	23.0	10.5	51.0	1.5	140.0	29.0	55.5	45.0	M8	18.0	5.5
25	25.0	29.0	12.5	61.0	1.5	152.2	35.0	58.5	52.0	M8	21.0	5.0
32	32.0	35.0	12.5	73.0	1.5	165.1	44.0	60.5	57.0	M10	21.0	6.5
40	38.0	41.0	16.0	83.0	1.5	190.4	53.0	68.5	69.0	M10	27.0	7.5
50	50.0	53.0	16.0	101.0	1.5	203.0	65.0	69.0	77.0	M12	27.0	8.5
65	65.0	70.0	15.0	130.0	2.0	254.0	81.0	86.5	90.0	M12	27.0	8.5
80	80.0	85.0	18.0	155.0	2.0	280.2	96.0	92.0	108.0	M14	-	10.0
100	100.0	104.0	18.0	187.0	2.0	317.0	124.0	96.5	123.0	M14	-	10.0

Dimensions in mm

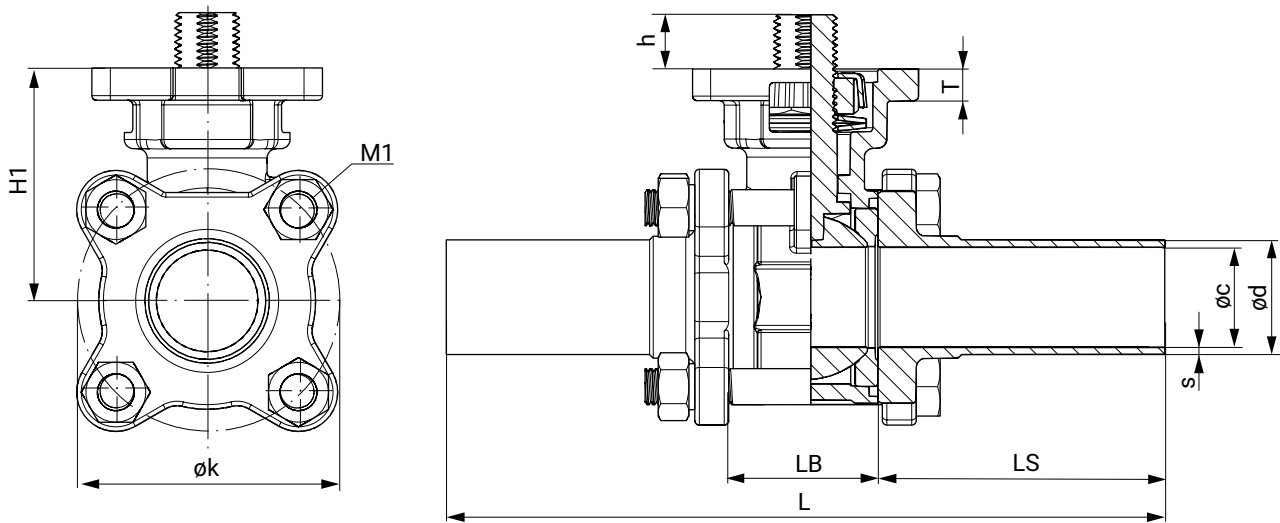
**Spigot DIN EN 12627 (connection code 19)**



DN	øc	ød	øk	h	s	L	LB	LS	H1	M1	T
8	11.6	16.2	46.0	9.0	2.30	60.0	24.0	18.0	40.5	M8	5.5
10	12.7	17.5	46.0	9.0	2.40	60.0	24.0	18.0	40.5	M8	5.5
15	15.0	21.7	46.0	9.0	3.35	75.0	24.0	25.5	40.5	M8	5.5
20	20.0	27.2	51.0	10.5	3.60	80.0	29.0	25.5	45.0	M8	5.5
25	25.0	34.0	61.0	12.5	4.50	90.0	35.0	27.5	52.0	M8	5.0
32	32.0	42.7	73.0	12.5	5.35	110.0	44.0	33.0	57.0	M10	6.5
40	38.0	48.6	83.0	16.0	5.30	120.0	53.0	33.5	69.0	M10	7.5
50	50.0	60.5	101.0	16.0	5.25	140.0	65.0	37.5	77.0	M12	8.5
65	63.0	76.3	130.0	15.0	6.65	185.3	81.0	52.2	90.0	M12	8.5
80	76.0	89.0	155.0	18.0	6.50	205.0	96.0	54.5	108.0	M14	10.0
100	100.0	116.0	187.0	18.0	8.00	240.0	124.0	58.0	123.0	M14	10.0

Dimensions in mm



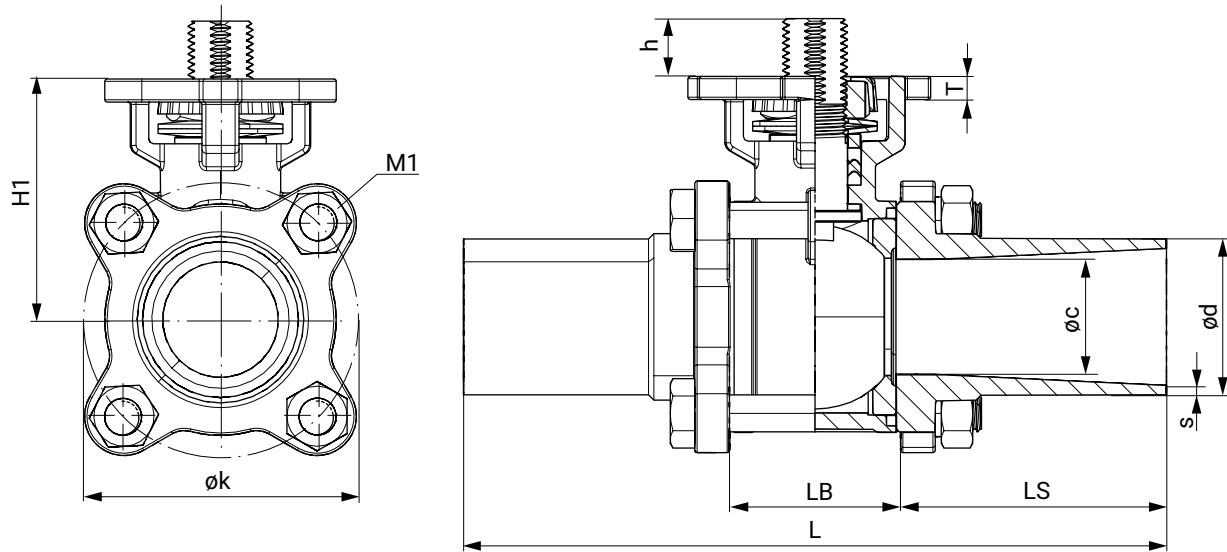
**Spigot ASME (connection code 59)**

DN	øc	ød	h	øk	s	L	LB	LS	H1	M1	T
15	9.4	12.7	8.5	46.0	1.65	140.0	25.0	57.5	40.5	M8	5.0
20	15.7	19.0	10.5	47.0	1.65	146.0	28.0	59.0	43.5	M8	5.0
25	22.1	25.4	12.0	56.0	1.65	159.0	32.0	63.5	50.5	M8	7.0
40	34.8	38.1	14.5	79.0	1.65	191.0	48.0	71.5	67.5	M10	8.0
50	47.5	50.8	14.5	98.5	1.65	216.0	62.0	77.0	75.5	M12	8.0
65	60.2	63.5	14.5	126.0	1.65	248.0	80.0	84.0	88.0	M12	8.0
80	72.9	76.2	17.5	146.0	1.65	267.0	90.0	88.5	105.0	M14	10.0
100	97.4	101.6	17.5	180.0	2.15	318.0	118.0	100.0	120.0	M14	10.0

Dimensions in mm

Dimensions

**Spigot ISO (connection code 60)**



DN	øc	ød	h	øk	s	L	LB	LS	H1	M1	T
8	10.3	13.5	9.0	46.0	1.6	120.0	24.0	48.0	40.5	M8	5.5
10	12.0	17.2	9.0	46.0	1.6	120.0	24.0	48.0	40.5	M8	5.5
15	15.0	21.3	9.0	46.0	1.6	140.2	24.0	58.0	40.5	M8	5.5
20	20.0	26.9	10.5	51.0	1.6	140.0	29.0	55.5	45.0	M8	5.5
25	25.0	33.7	12.5	59.0	2.0	152.2	35.0	58.5	52.0	M8	5.0
32	32.0	42.4	12.5	73.0	2.0	165.1	44.0	60.5	57.0	M10	6.5
40	38.0	48.3	16.0	83.0	2.0	190.4	53.0	68.5	69.0	M10	7.5
50	49.0	60.3	16.0	103.0	2.0	203.0	65.0	69.0	77.0	M12	8.5
65	64.0	76.1	15.0	130.0	2.0	254.0	81.0	86.5	90.0	M12	8.5
80	76.0	88.9	18.0	155.0	2.3	280.2	96.0	92.0	108.0	M14	10.0
100	100.0	114.3	18.0	187.0	2.3	317.0	124.0	96.5	123.0	M14	10.0

Dimensions in mm

## Add-on components



### GEMÜ LSF

#### Inductive dual sensor for quarter turn valves

The GEMÜ LSF inductive dual sensor is suitable for mounting to manually and pneumatically operated quarter turn valves. It is also fitted with an optical position indicator for visual confirmation of position.



### GEMÜ LSC

#### Limit switch box for quarter turn actuators

The GEMÜ LSC limit switch box is suitable for mounting to manually and pneumatically operated quarter turn valves. It is also fitted with an optical position indicator for visual confirmation of position.

## Accessories

### GEMÜ ADH

#### Mounting sleeve

The mounting sleeve accessories are available in the square and star geometry designs. These are used for the shaft and hub support for quarter turn actuators. Both sleeves have an internal square drive (please observe stated measurement dimensions here). The sleeve material is sintered metal and they are chemically nickel plated with a surface of 25 µm.



### GEMÜ 2022

#### Throttle valve

The GEMÜ 2022 throttle valves are available as throttle valve, throttle check valve and dual throttle check valve. In pneumatic actuators they are used to regulate the compressed air depending on the function for the supply or exhaust air and can be set independently of each other in the case of dual throttle check valves.



### GEMÜ 8500

#### Electrically operated pilot solenoid valve

The GEMÜ 8500 servo assisted 3/2 or 5/2-way pilot solenoid valve is indirectly controlled. The body is made of aluminium. The plastic encapsulated coil is detachable. The piston valve has a soft elastomer seal.



### GEMÜ 8500DRN

#### Throttle plate

Throttle plates can be used to continuously adjust the travel times of pneumatic quarter turn actuators in both the "OPEN" and "CLOSED" directions independently of one another. They are installed between the NAMUR valve and the quarter turn actuator.



**GEMÜ 1751**

**Silencer**

Damping of vent hole or suction noises and coarse filtering of the suction air for pneumatic applications

**Certificates**

Certificate	Standard	Item number
3.1 Material	EN 10204	88333336

**GEMÜ CONEXO**

The interaction of valve components that are equipped with RFID chips and an associated IT infrastructure actively increase process reliability.



Thanks to serialization, every valve and every relevant valve component such as the body, actuator or diaphragm, and even automation components, can be clearly traced and read using the CONEXO pen RFID reader. The CONEXO app, which can be installed on mobile devices, not only facilitates and improves the "installation qualification" process, but also makes the maintenance process much more transparent and easier to document. The app actively guides the maintenance technician through the maintenance schedule and directly provides him with all the information assigned to the valve, such as test reports, testing documentation and maintenance histories. The CONEXO portal acts as a central element, helping to collect, manage and process all data.

**For further information on GEMÜ CONEXO please visit:**

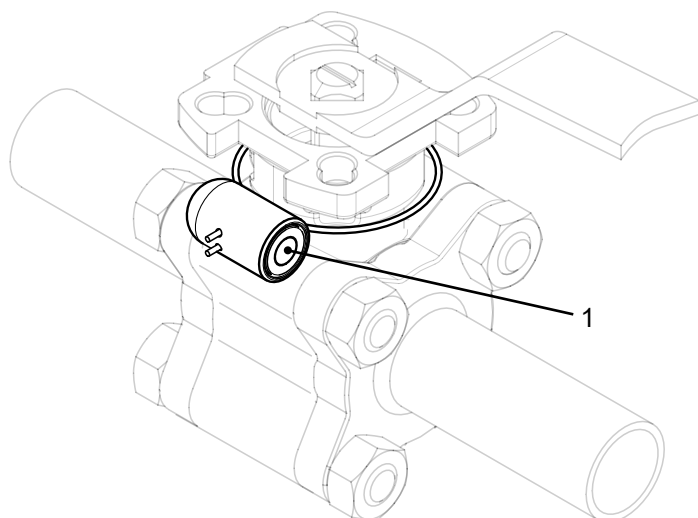
[www.gemu-group.com/conexo](http://www.gemu-group.com/conexo)

**Ordering**

GEMÜ Conexo must be ordered separately with the ordering option "CONEXO".

**Installing the RFID chip**

In the corresponding design with CONEXO, this product has an RFID chip for electronic identification purposes. The position of the RFID chip can be seen below.



***EU Declaration of Conformity in accordance with 2014/68/EU (Pressure Equipment Directive)***



## EU Declaration of Conformity

*in accordance with 2014/68/EU (Pressure Equipment Directive)*

We, the company GEMÜ Gebr. Müller Apparatebau GmbH & Co. KG  
Fritz-Müller-Strasse 6-8  
74653 Ingelfingen-Criesbach, Germany

hereby declare under our sole responsibility that the below-mentioned product complies with the regulations of the above-mentioned Directive.

**Product:** GEMÜ BB02  
**Product name:** Ball valve with bare shaft  
**Notified body:** TÜV Rheinland Industrie Service GmbH  
Am Grauen Stein 1  
51105 Cologne, Germany  
**ID number of the notified body:** 0035  
**No. of the QA certificate:** 01 202 926/Q-02 0036  
**Conformity assessment procedure:** Module H1  
**The following harmonized standards (or parts thereof) have been applied:** EN ISO 1983:2013

**Information for products with a nominal size  $\leq$  DN 25:**

The products are developed and produced according to GEMÜ's in-house process instructions and standards of quality which comply with the requirements of ISO 9001 and ISO 14001. According to Article 4, Paragraph 3 of the Pressure Equipment Directive 2014/68/EU, these products must not be identified by a CE-marking.

**Other applied technical standards / Remarks:**

- DIN EN ISO 5211; DIN EN 558; AD 2000

M. Barghoorn  
Head of Global Technics  
Ingelfingen, 03/02/2023

GEMÜ Gebr. Müller Apparatebau GmbH & Co. KG  
Fritz-Müller-Straße 6-8 D-74653 Ingelfingen-Criesbach

www.gemu-group.com  
info@gemue.de



GEMÜ Gebr. Müller Apparatebau GmbH & Co. KG  
Fritz-Müller-Straße 6-8, 74653 Ingelfingen-Criesbach, Germany  
Phone +49 (0) 7940 1230 · info@gemue.de  
www.gemu-group.com