

## GEMÜ B26

Manually operated compact flanged ball valve

EN

### Operating instructions



further information  
webcode: GW-B26



All rights including copyrights or industrial property rights are expressly reserved.

Keep the document for future reference.

© GEMÜ Gebr. Müller Apparatebau GmbH & Co. KG  
24.01.2024

---

## Contents

<b>1</b>	<b>General information</b>	<b>4</b>
1.1	Information	4
1.2	Symbols used	4
1.3	Definition of terms	4
1.4	Warning notes	4
<b>2</b>	<b>Safety information</b>	<b>5</b>
<b>3</b>	<b>Product description</b>	<b>5</b>
3.1	Construction	5
3.2	Pressure-relief hole	5
3.3	Control ball	6
3.4	Description	6
3.5	Function	6
<b>4</b>	<b>GEMÜ CONEXO</b>	<b>6</b>
<b>5</b>	<b>Correct use</b>	<b>7</b>
<b>6</b>	<b>Order data</b>	<b>8</b>
<b>7</b>	<b>Technical data</b>	<b>10</b>
7.1	Medium	10
7.2	Temperature	10
7.3	Pressure	10
7.4	Product conformities	13
7.5	Mechanical data	13
<b>8</b>	<b>Dimensions</b>	<b>15</b>
<b>9</b>	<b>Manufacturer's information</b>	<b>18</b>
9.1	Delivery	18
9.2	Packaging	18
9.3	Transport	18
9.4	Storage	18
<b>10</b>	<b>Installation in piping</b>	<b>18</b>
10.1	Preparing for installation	18
10.2	Installation with flanged connections	19
10.3	After the installation	19
<b>11</b>	<b>Commissioning</b>	<b>20</b>
<b>12</b>	<b>Operation</b>	<b>20</b>
<b>13</b>	<b>Troubleshooting</b>	<b>21</b>
<b>14</b>	<b>Inspection/maintenance</b>	<b>22</b>
14.1	General information regarding replacing the hand lever	22
<b>15</b>	<b>Removal from piping</b>	<b>25</b>
<b>16</b>	<b>Disposal</b>	<b>25</b>
<b>17</b>	<b>Returns</b>	<b>25</b>
<b>18</b>	<b>Declaration of conformity according to 2014/68/ EU (Pressure Equipment Directive)</b>	<b>26</b>

## 1 General information

### 1.1 Information

- The descriptions and instructions apply to the standard versions. For special versions not described in this document the basic information contained herein applies in combination with any additional special documentation.
- Correct installation, operation, maintenance and repair work ensure faultless operation of the product.
- Should there be any doubts or misunderstandings, the German version is the authoritative document.
- Contact us at the address on the last page for staff training information.

### 1.2 Symbols used

The following symbols are used in this document:

Symbol	Meaning
●	Tasks to be performed
▶	Response(s) to tasks
–	Lists

### 1.3 Definition of terms

#### Working medium

The medium that flows through the GEMÜ product.




### 1.4 Warning notes



Wherever possible, warning notes are organised according to the following scheme:


SIGNAL WORD	
Possible symbol for the specific danger	<b>Type and source of the danger</b> <ul style="list-style-type: none"> <li>▶ Possible consequences of non-observance.</li> <li>● Measures for avoiding danger.</li> </ul>

Warning notes are always marked with a signal word and sometimes also with a symbol for the specific danger.



The following signal words and danger levels are used:

 <b>DANGER</b>	
	<b>Imminent danger!</b> <ul style="list-style-type: none"> <li>▶ Non-observance can cause death or severe injury.</li> </ul>
 <b>WARNING</b>	
	<b>Potentially dangerous situation!</b> <ul style="list-style-type: none"> <li>▶ Non-observance can cause death or severe injury.</li> </ul>

 <b>CAUTION</b>	
	<b>Potentially dangerous situation!</b> <ul style="list-style-type: none"> <li>▶ Non-observance can cause moderate to light injury.</li> </ul>

<b>NOTICE</b>	
	<b>Potentially dangerous situation!</b> <ul style="list-style-type: none"> <li>▶ Non-observance can cause damage to property.</li> </ul>

The following symbols for the specific dangers can be used within a warning note:

Symbol	Meaning
	Corrosive chemicals!
	Hot plant components!

## 2 Safety information

The safety information in this document refers only to an individual product. Potentially dangerous conditions can arise in combination with other plant components, which need to be considered on the basis of a risk analysis. The operator is responsible for the production of the risk analysis and for compliance with the resulting precautionary measures and regional safety regulations.

The document contains fundamental safety information that must be observed during commissioning, operation and maintenance. Non-compliance with these instructions may cause:

- Personal hazard due to electrical, mechanical and chemical effects.
- Hazard to nearby equipment.
- Failure of important functions.
- Hazard to the environment due to the leakage of dangerous substances.

The safety information does not take into account:

- Unexpected incidents and events, which may occur during installation, operation and maintenance.
- Local safety regulations which must be adhered to by the operator and by any additional installation personnel.

### Prior to commissioning:

1. Transport and store the product correctly.
2. Do not paint the bolts and plastic parts of the product.
3. Carry out installation and commissioning using trained personnel.
4. Provide adequate training for installation and operating personnel.
5. Ensure that the contents of the document have been fully understood by the responsible personnel.
6. Define the areas of responsibility.
7. Observe the safety data sheets.
8. Observe the safety regulations for the media used.

### During operation:

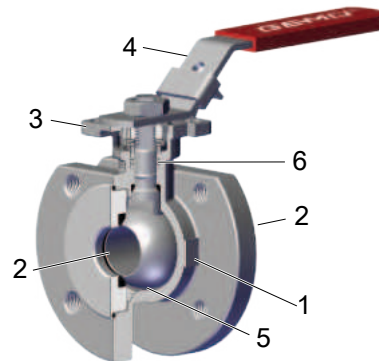
9. Keep this document available at the place of use.
10. Observe the safety information.
11. Operate the product in accordance with this document.
12. Operate the product in accordance with the specifications.
13. Maintain the product correctly.
14. Do not carry out any maintenance work and repairs not described in this document without consulting the manufacturer first.

### In cases of uncertainty:

15. Consult the nearest GEMÜ sales office.

## 3 Product description

### 3.1 Construction

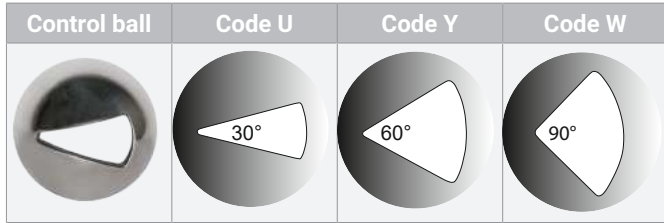


Item	Name	Materials
1	Ball valve body	1.4408 / CF8M
2	Pipe connections	1.4408 / CF8M
3	Mounting flange ISO 5211	1.4408 / CF8M
4	Hand lever	304
5	Seal	PTFE
6	Antistatic unit	1.4408

### 3.2 Pressure-relief hole



**3.3 Control ball**



Note: The control ball cannot be retrofitted to standard 2/2-way bodies at a later date.

**3.4 Description**

The GEMÜ B26 2/2-way metal ball valve is manually operated. It has a plastic sleeved hand lever. The seat seal is made of PTFE.

**3.5 Function**

The product can be continuously opened or closed. The product can be secured in the open or closed position with a suitable lock (e.g. padlock). The lock is not included in the scope of delivery.

**4 GEMÜ CONEXO**

The interaction of valve components that are equipped with RFID chips and an associated IT infrastructure actively increase process reliability.

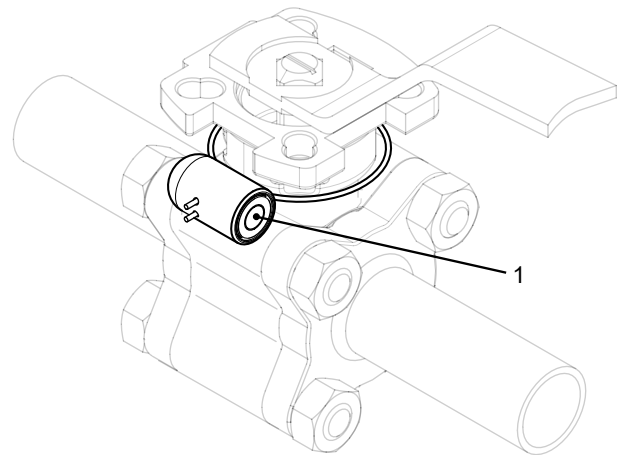


Thanks to serialization, every valve and every relevant valve component such as the body, actuator or diaphragm, and even automation components, can be clearly traced and read using the CONEXO pen RFID reader. The CONEXO app, which can be installed on mobile devices, not only facilitates and improves the "installation qualification" process, but also makes the maintenance process much more transparent and easier to document. The app actively guides the maintenance technician through the maintenance schedule and directly provides him with all the information assigned to the valve, such as test reports, testing documentation and maintenance histories. The CONEXO portal acts as a central element, helping to collect, manage and process all data.

**For further information on GEMÜ CONEXO please visit:**  
[www.gemu-group.com/conexo](http://www.gemu-group.com/conexo)

**Installing the RFID chip**

In the corresponding design with CONEXO, this product has an RFID chip (1) for electronic recognition. The position of the RFID chip can be seen below.



## 5 Correct use

Ball valves are used to isolate media flows.

Only clean, liquid or gaseous media must be used, and the body and seal materials used must be resistant to and suitable for this. Contaminated media and / or applications outside of the pressure and temperature data may lead to damage to the body and, in particular, to the seals on the ball valve.

The "Technical data" chapter describes the permissible pressure / temperature range for these ball valves.

### WARNING

#### Improper use of the product!

- ▶ Risk of severe injury or death
- ▶ Manufacturer liability and guarantee will be void
- Only use the product in accordance with the operating conditions specified in the contract documentation and in this document.

The product is suitable for installation in piping and for controlling a media flow. The operating conditions according to the technical data apply to the media to be controlled.

The product is controlled via a manual actuator.

The product is not intended for use in potentially explosive areas.

Due to the design, in the open and closed position, a low volume of medium may be trapped within the ball or between the ball and the body.

Expansion of the medium due to temperature differences, change in state or a chemical response may lead to a high pressure build-up. In order to prevent unacceptable pressure increases, a special version with pressure-relief hole in the ball is available on request for this case.

### NOTICE

#### Build-up of lint!

- ▶ For soft-seated ball valves, due to the relative rotations of the stainless steel ball valve to the seat seal, slight wear of the PTFE seals must always be anticipated. Despite this, the safety of the ball valve is not affected by any potential build-up of lint and the seal materials are compliant in accordance with FDA directives.

## 6 Order data

The order data provide an overview of standard configurations.

Please check the availability before ordering. Other configurations available on request.

Products ordered with **bold marked ordering options** are so-called preferred series. Depending on the nominal size, these are available more quickly.

### Order codes

1 Type	Code	5 Ball valve material	Code
Ball valve, metal, manually operated, one-piece body, compact flange, ISO 5211, top flange, lockable hand lever, low-maintenance spindle seal and blow-out proof shaft, with anti-static unit	B26	<b>1.4408 / CF8M (body, connection), 1.4401 / SS316 (ball, shaft)</b>	<b>37</b>
2 DN	Code	6 Seal material	Code
DN 15	15	<b>PTFE</b>	<b>5</b>
DN 20	20	7 Control function	Code
DN 25	25	Manually operated, hand lever, lockable	L
DN 32	32	8 Type of design	Code
DN 40	40	Standard	
DN 50	50	Thermal separation between actuator and valve body via mounting kit, mounting kit and mounting parts in stainless steel	5227
DN 65	65	K-no. 5227, K-no. 7056, 5227 - Thermal separation via mounting kit, 7056 - Drilled shaft, shortened hand lever	5237
DN 80	80	Hand lever shortened for mounting feedback units. Shaft face drilled for mounting kit: DN8-DN20 M5 X 12.5/depth of thread 9.0mm, DN25-DN100 M6 x 15/depth of thread 10.0mm	7056
DN 100	100	K-no. 0101, K-no. 7056, 0101 – Media wetted area cleaned to ensure suitability for paint applications, 7056 – Drilled shaft, shortened hand lever	7097
3 Body/ball configuration	Code	9 Special version	Code
<b>2/2-way body</b>	<b>D</b>	Without	
2/2-way body, V-ball 30° (for Kv value see datasheet)	U	ATEX certification	X
2/2-way body, V-ball 60° (for Kv value see datasheet)	Y	10 CONEXO	Code
2/2-way body, V-ball 90° (for Kv value see datasheet)	W	Without	
4 Connection type	Code	Integrated RFID chip for electronic identification and traceability	C
Flange ANSI Class 125/150 RF, face-to-face dimension FTF EN 558 series 1, ISO 5752, basic series 1, length only for body configuration D	39		
<b>Flange EN 1092, PN16/PN40, form B DN15 to DN50, flange EN1092, PN 16, form B DN65 to DN100</b>	<b>68</b>		

### Order example

Ordering option	Code	Description
1 Type	B26	Ball valve, metal, manually operated, one-piece body, compact flange, ISO 5211, top flange, lockable hand lever, low-maintenance spindle seal and blow-out proof shaft, with anti-static unit
2 DN	25	DN 25
3 Body/ball configuration	D	2/2-way body
4 Connection type	39	Flange ANSI Class 125/150 RF, face-to-face dimension FTF EN 558 series 1, ISO 5752, basic series 1, length only for body configuration D
5 Ball valve material	37	1.4408/CF8M (body, connection), 1.4401/SS316 (ball, shaft)
6 Seal material	5	PTFE
7 Control function	L	Manually operated, hand lever, lockable



Ordering option	Code	Description
8 Type of design		Standard
9 Special version		Without
10 CONEXO		Without Integrated RFID chip for electronic identification and traceability

## 7 Technical data

### 7.1 Medium

**Working medium:** Corrosive, inert, gaseous and liquid media and steam which have no negative impact on the physical and chemical properties of the body and seal material.

### 7.2 Temperature

**Media temperature:** -20 – 180 °C

**Ambient temperature:** -20 – 60 °C  
Higher temperatures on request

**Storage temperature:** -60 – 60 °C

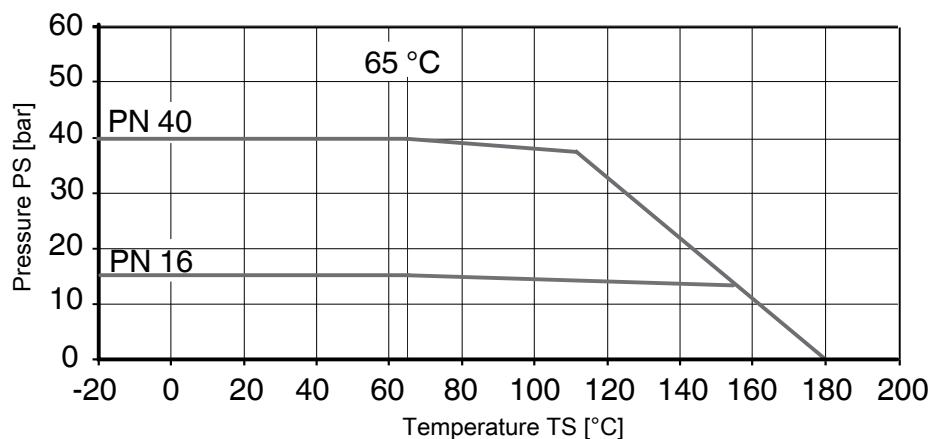
### 7.3 Pressure

**Operating pressure:** 0 – 40 bar

**Vacuum:** Can be used up to a vacuum of 50 mbar (absolute)  
These values apply to room temperature and air. The values may deviate for other media and other temperatures.

**Leakage rate:** Leakage rate according to ANSI FCI70 – B16.104  
Leakage rate according to EN12266, 6 bar air, leakage rate A

**Pressure/temperature diagram:**



Pressure/temperature data according to the diagram refer to static operating conditions. Strongly fluctuating parameters or parameters that change quickly over time can lead to a reduction in service life. Special applications are to be discussed with your technical contact in advance.

**Pressure rating:** DN 15 – 50: PN40  
DN 65 – 100: PN16

**Kv values:**

DN	NPS	Kv values
15	1/2"	13.0
20	3/4"	34.0
25	1"	60.0
32	1¼"	94.0
40	1½"	213.0
50	2"	366.0
65	2½"	595.0
80	3"	935.0
100	4"	1700.0

Kv values in m³/h

**V-ball 30° (code U)**

DN	NPS	Opening angle										
		0	15%	20%	30%	40%	50%	60%	70%	80%	90%	100%
15	1/2"	0	0.085	0.085	0.170	0.255	0.425	0.680	0.935	1.360	1.870	2.210
20	3/4"	0	0.085	0.170	0.425	0.595	0.935	1.530	2.040	2.805	3.825	4.590
25	1"	0	0.085	0.255	0.680	1.105	1.955	2.975	4.335	5.961	8.128	8.500
32	1¼"	0	0.170	0.340	0.935	1.700	3.145	4.675	6.800	8.500	11.050	12.750
40	1½"	0	0.255	0.510	1.360	2.550	4.250	6.375	9.350	11.900	14.450	17.000
50	2"	0	0.340	1.020	3.230	5.100	8.500	12.75	19.550	26.350	36.550	51.000
65	2½"	0	0.340	0.850	3.400	6.800	10.200	15.300	23.800	31.450	52.70	63.750
80	3"	0	0.425	1.020	3.400	6.800	11.900	19.550	28.050	39.100	55.250	69.700
100	4"	0	0.510	1.700	5.100	12.750	24.650	40.800	60.350	85.000	110.50	135.20

Kv values in m³/h

**V-ball 60° (code Y)**

DN	NPS	Opening angle										
		0	15%	20%	30%	40%	50%	60%	70%	80%	90%	100%
15	1/2"	0	0.085	0.085	0.255	0.425	0.765	1.190	1.700	2.805	3.740	5.100
20	3/4"	0	0.085	0.170	0.595	0.850	1.445	2.380	3.400	5.525	7.650	10.200
25	1"	0	0.170	0.340	0.935	1.530	2.890	4.505	6.715	10.46	13.010	17.850
32	1¼"	0	0.170	0.510	1.530	2.550	4.675	8.075	10.880	16.15	22.100	33.150
40	1½"	0	0.340	0.680	2.125	3.400	6.800	11.050	16.150	22.95	34.000	44.200
50	2"	0	0.340	1.275	3.910	7.650	14.030	22.950	33.150	46.75	70.550	93.500
65	2½"	0	0.340	1.275	4.250	8.500	17.850	28.900	45.050	63.75	87.550	127.50
80	3"	0	0.425	2.125	5.100	11.900	21.250	34.000	55.250	77.35	108.80	140.30
100	4"	0	0.595	2.550	9.350	21.250	34.000	50.150	76.500	119.9	180.20	302.60

Kv values in m³/h

**Kv values:****V-ball 90° (code W)**

DN	NPS	Opening angle										
		0	15%	20%	30%	40%	50%	60%	70%	80%	90%	100%
15	1/2"	0	0.085	0.170	0.340	0.510	0.765	1.275	1.870	3.230	4.590	5.865
20	3/4"	0	0.170	0.340	0.680	1.020	1.700	2.635	3.910	6.800	9.605	11.900
25	1"	0	0.170	0.510	1.530	2.890	4.335	6.885	9.690	13.600	17.850	24.650
32	1¼"	0	0.255	0.680	1.700	4.250	6.800	11.900	16.150	23.800	33.150	46.750
40	1½"	0	0.425	0.765	2.975	5.950	11.050	17.000	26.350	35.700	53.550	66.300
50	2"	0	0.595	1.700	5.100	10.200	18.700	29.750	38.250	59.500	89.250	114.80
65	2½"	0	0.425	1.445	5.950	11.900	23.800	40.800	59.500	90.100	136.00	185.30
80	3"	0	0.595	2.975	6.800	15.300	29.750	51.000	76.500	114.80	174.30	263.50
100	4"	0	0.850	2.975	13.600	34.000	63.750	106.30	161.50	250.80	375.70	569.50





Kv values in m³/h

## 7.4 Product conformities

**Pressure Equipment Directive:** 2014/68/EU

**Food:** FDA  
Regulation (EC) No. 10/2011  
Regulation (EC) No. 1935/2006

**Explosion protection:** ATEX (2014/34/EU) and IECEx, order code Special version X

**ATEX marking:** **Up to DN 65**  
Gas:  II 2G Ex h IIC T6 ... T2 Gb X  
Dust:  II -/2D Ex h -/IIIC T180 °C -/Db X  
**DN 80 and 100**  
Gas:  II 2G Ex h IIB T6 ... T2 Gb X  
Dust:  II -/2D Ex h -/IIIC T180 °C -/Db X

## 7.5 Mechanical data

**Torques:**

DN	NPS	Breakaway torque
15	1/2"	7
20	3/4"	8
25	1"	10
32	1¼"	14
40	1½"	29
50	2"	58
65	2½"	62
80	3"	120
100	4"	174

Torques in Nm

**Weight:**

**Ball valve**

DN	NPS	Weight
15	1/2"	1.3
20	3/4"	2.0
25	1"	2.8
32	1¼"	4.2
40	1½"	5.3
50	2"	6.7
65	2½"	11.9
80	3"	14.9
100	4"	20.4

Weights in kg

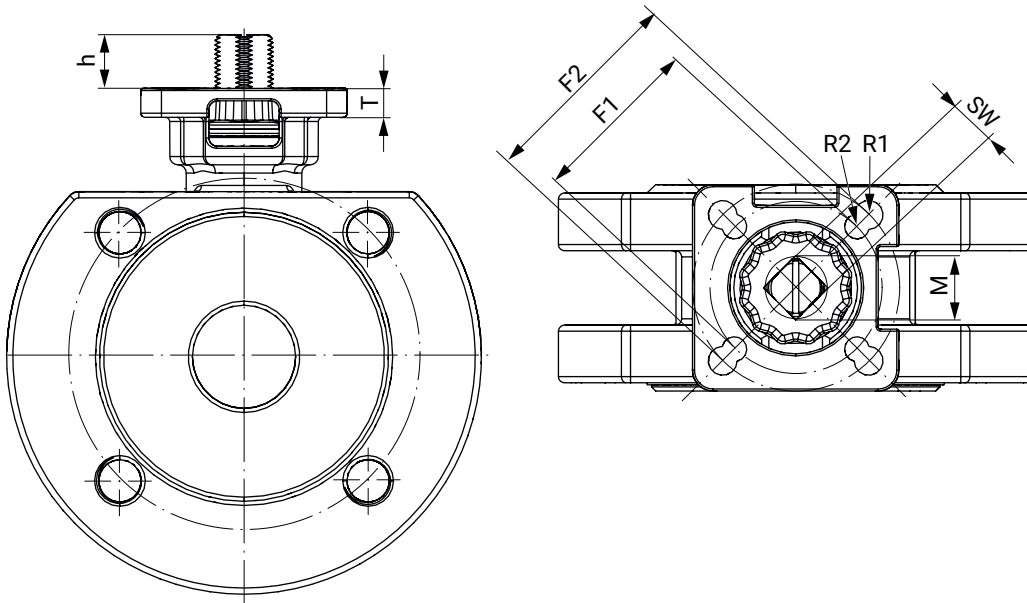
**Weight:****Hand lever**

DN	NPS	Weight
15	1/2"	0.122
20	3/4"	0.122
25	1"	0.165
32	1¼"	0.165
40	1½"	0.398
50	2"	0.398
65	2½"	0.78
80	3"	0.78
100	4"	0.96

Weights in kg

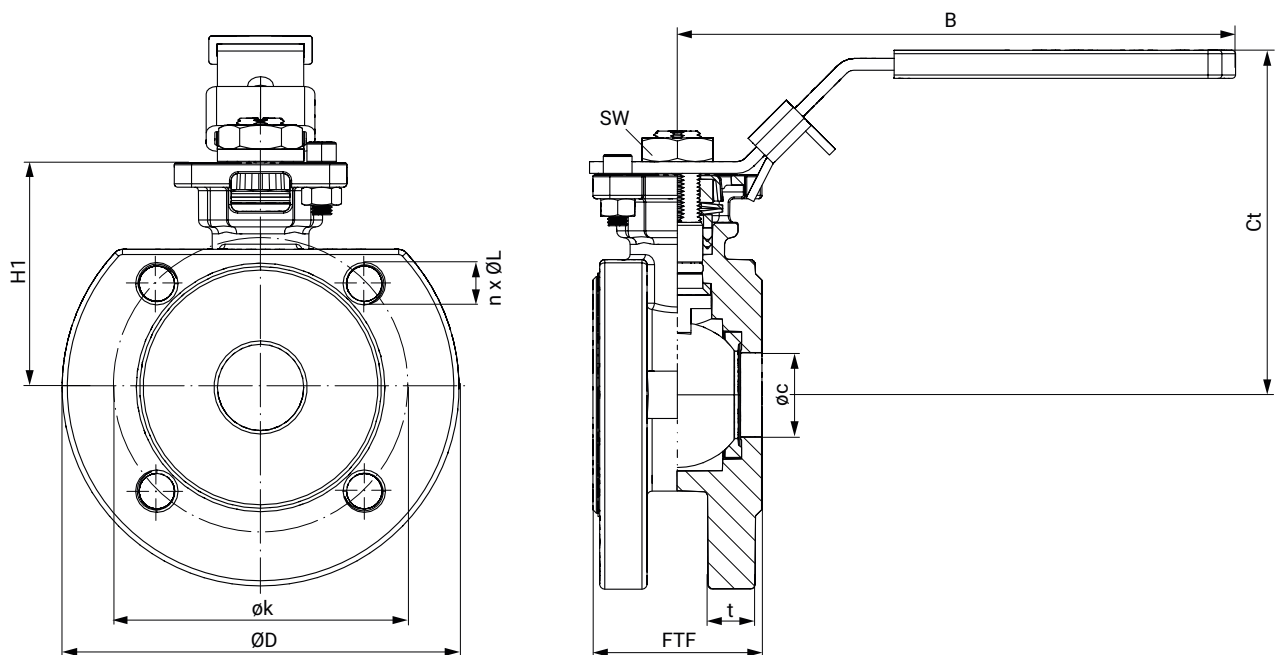
## 8 Dimensions

### 8.1 Actuator flange



DN	G	F1	R1	F2	R2	SW	h	T	M
15	1/2"	36.0	3.0	42.0	3.0	9.0	9.0	5.0	M12
20	3/4"	36.0	3.0	42.0	3.0	9.0	7.5	5.0	M12
25	1"	42.0	3.0	50.0	3.5	11.0	13.0	7.0	M14
32	1¼"	42.0	3.0	50.0	3.5	11.0	13.0	7.0	M14
40	1½"	50.0	3.5	70.0	4.5	14.0	15.0	9.0	M18
50	2"	50.0	3.5	70.0	4.5	14.0	16.0	9.0	M18
65	2½"	70.0	5.0	102.0	6.0	17.0	18.0	10.5	M22
80	3"	70.0	5.0	102.0	6.0	17.0	18.0	10.5	M22
100	4"	70.0	5.0	102.0	6.0	17.0	18.0	10.5	M22

Dimensions in mm

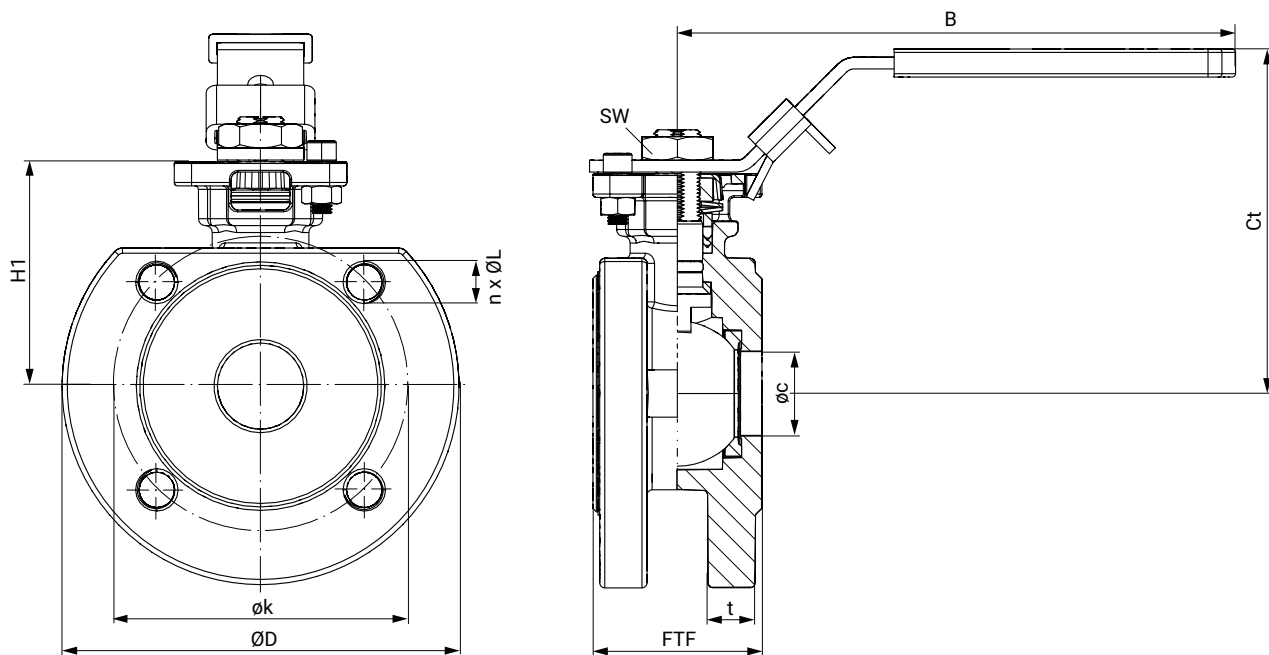
**8.2 Body dimensions****8.2.1 Flange (connection code 39)**

DN	$\phi c$	$\phi D$	$\phi k$	t	FTF	H1	$n \times \phi L$	B	Ct
15	15.0	89.0	60.5	9.2	38.0	48.5	4x1/2-13UNC	133.5	80.9
20	20.0	99.0	69.8	11.0	40.0	54.0	4x1/2-13UNC	133.5	86.4
25	25.0	108.0	79.2	13.5	46.0	65.0	4x1/2-13UNC	165.1	96.0
32	32.0	117.0	88.9	14.0	56.0	78.0	4x1/2-13UNC	165.1	107.5
40	38.0	127.0	98.6	15.5	65.0	85.0	4x1/2-13UNC	214.0	129.5
50	50.0	152.0	120.6	17.0	78.0	93.0	4x5/8-11UNC	214.0	137.5
65	65.0	178.0	139.7	20.5	99.0	107.0	4x5/8-11UNC	258.0	162.5
80	76.0	190.0	152.4	22.0	116.0	119.0	4x5/8-11UNC	298.0	174.5
100	100.0	229.0	190.5	22.0	149.0	132.0	8x5/8-11UNC	270.0	185.0

Dimensions in mm



## 8.2.2 Flange (connection code 68)



DN	$\varnothing c$	$\varnothing D$	$\varnothing k$	t	FTF	H1	n x $\varnothing L$	B	Ct
15	15.0	82.0	65.0	14.0	42.0	48.5	4 x M12	133.5	79.7
20	20.0	98.0	75.0	14.0	44.0	54.0	4 x M12	133.5	85.2
25	25.0	115.0	85.0	14.0	50.0	65.0	4 x M12	165.1	102.0
32	32.0	140.0	100.0	16.0	60.0	78.0	4 x M16	165.1	119.0
40	38.0	150.0	110.0	15.0	69.0	85.0	4 x M16	214.0	130.6
50	50.0	165.0	125.0	15.5	82.0	93.0	4 x M16	214.0	139.0
65	65.0	185.0	145.0	15.5	103.0	107.0	4 x M16	258.0	162.0
80	76.0	200.0	160.0	17.0	119.0	119.0	8 x M16	298.0	174.0
100	100.0	220.0	180.0	17.0	150.0	132.0	8 x M16	270.0	186.0

Dimensions in mm

## 9 Manufacturer's information

### 9.1 Delivery

- Check that all parts are present and check for any damage immediately upon receipt.

The product's performance is tested at the factory. The scope of delivery is apparent from the dispatch documents and the design from the order number.

### 9.2 Packaging

The product is packaged in a cardboard box which can be recycled as paper.

### 9.3 Transport


1. Only transport the product by suitable means. Do not drop. Handle carefully.
2. After the installation dispose of transport packaging material according to relevant local or national disposal regulations / environmental protection laws.



### 9.4 Storage



1. Store the product free from dust and moisture in its original packaging.
2. Avoid UV rays and direct sunlight.
3. Do not exceed the maximum storage temperature (see chapter "Technical data").
4. Do not store solvents, chemicals, acids, fuels or similar fluids in the same room as GEMÜ products and their spare parts.
5. Store the ball valves in the "open" position.


## 10 Installation in piping


### 10.1 Preparing for installation

 <b>WARNING</b>	
<b>The equipment is subject to pressure!</b>	
<ul style="list-style-type: none"> <li>▶ Risk of severe injury or death</li> <li>● Depressurize the plant.</li> <li>● Completely drain the plant.</li> </ul>	

 <b>WARNING</b>	
	<b>Corrosive chemicals!</b>
	<ul style="list-style-type: none"> <li>▶ Risk of caustic burns</li> <li>● Wear appropriate protective gear.</li> <li>● Completely drain the plant.</li> </ul>

 <b>CAUTION</b>	
	<b>Hot plant components!</b>
	<ul style="list-style-type: none"> <li>▶ Risk of burns</li> <li>● Only work on plant that has cooled down.</li> </ul>

 <b>CAUTION</b>	
<b>Exceeding the maximum permissible pressure.</b>	
<ul style="list-style-type: none"> <li>▶ Damage to the product</li> <li>● Provide precautionary measures against exceeding the maximum permitted pressures caused by pressure surges (water hammer).</li> </ul>	

 <b>CAUTION</b>	
<b>Use as step.</b>	
<ul style="list-style-type: none"> <li>▶ Damage to the product</li> <li>▶ Risk of slipping-off</li> <li>● Choose the installation location so that the product cannot be used as a foothold.</li> <li>● Do not use the product as a step or a foothold.</li> </ul>	

<b>NOTICE</b>	
<b>Suitability of the product!</b>	
<ul style="list-style-type: none"> <li>▶ The product must be appropriate for the piping system operating conditions (medium, medium concentration, temperature and pressure) and the prevailing ambient conditions.</li> </ul>	

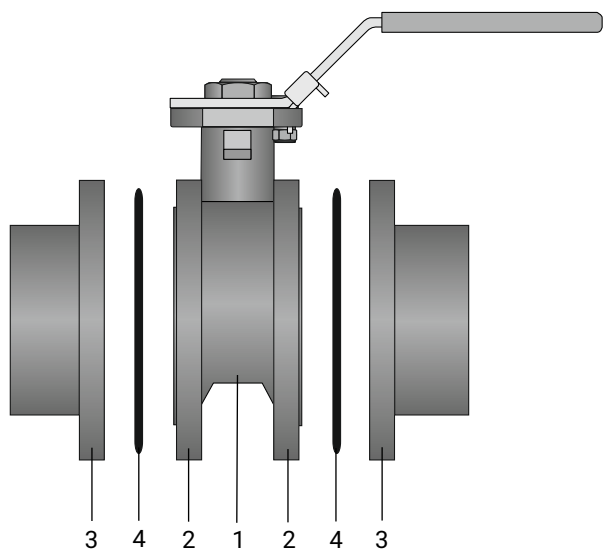
<b>NOTICE</b>	
<b>Tools</b>	
<ul style="list-style-type: none"> <li>▶ The tools required for installation and assembly are not included in the scope of delivery.</li> <li>● Use appropriate, functional and safe tools.</li> </ul>	

1. Ensure the product is suitable for the relevant application.
2. Check the technical data of the product and the materials.
3. Keep appropriate tools ready.
4. Wear appropriate protective gear, as specified in the plant operator's guidelines.
5. Observe appropriate regulations for connections.
6. Have installation work carried out by trained personnel.
7. Shut off plant or plant component.
8. Secure plant or plant component against recommissioning.
9. Depressurize the plant or plant component.
10. Completely drain the plant (or plant component) and let it cool down until the temperature is below the media vaporization temperature and cannot cause scalding.
11. Decontaminate, rinse and ventilate the plant or plant component properly.
12. Lay piping so that the product is protected against transverse and bending forces, and also from vibrations and tension.
13. Only mount the product between matching aligned pipes (see following chapters).
14. Flow direction and installation position are optional.

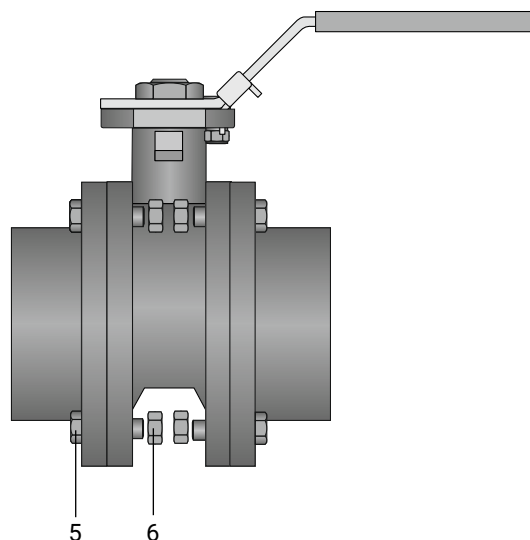
## 10.2 Installation with flanged connections

### NOTICE

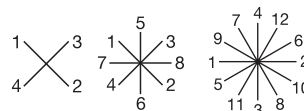
- Observe valid standards for mounting flanges!



1. Ensure sealing surfaces on the mating flanges are clean and undamaged.
2. Only use connector elements made of approved materials.
3. Install the ball valve in the state it is delivered.
4. Carefully align the ball valve body **1** centrally between the pipes with flanges **3**.
5. Centre the seals **4** accurately. Seals are not included in the scope of delivery.
6. Connect the ball valve flange **2** and piping flange **3** using appropriate sealing material and matching bolting. Sealing material and bolts are not included in the scope of delivery.



7. Insert bolts **5** in all holes in the flange.
8. Slightly tighten the bolts **5** and nuts **6** diagonally.



9. Check the alignment of the piping.
10. Tighten the nuts **M** diagonally.

**Comply with appropriate regulations for the connections.**

### 10.3 After the installation

- Re-attach or reactivate all safety and protective devices.

## 11 Commissioning

### ⚠ WARNING



#### Corrosive chemicals!

- ▶ Risk of caustic burns
- Wear appropriate protective gear.
- Completely drain the plant.

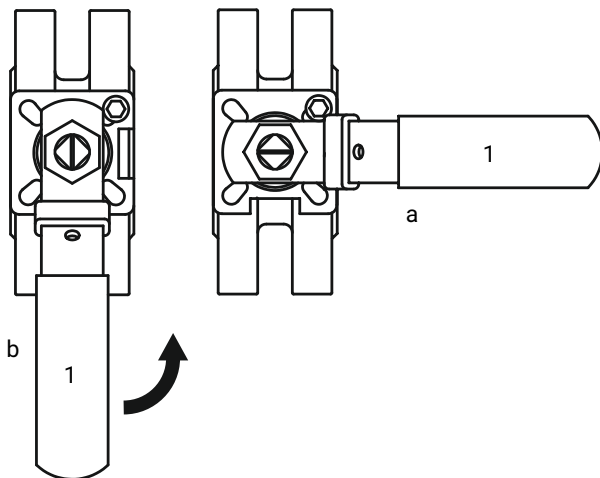
### ⚠ CAUTION

#### Leakage

- ▶ Emission of dangerous materials.
- Provide precautionary measures against exceeding the maximum permitted pressures caused by pressure surges (water hammer).

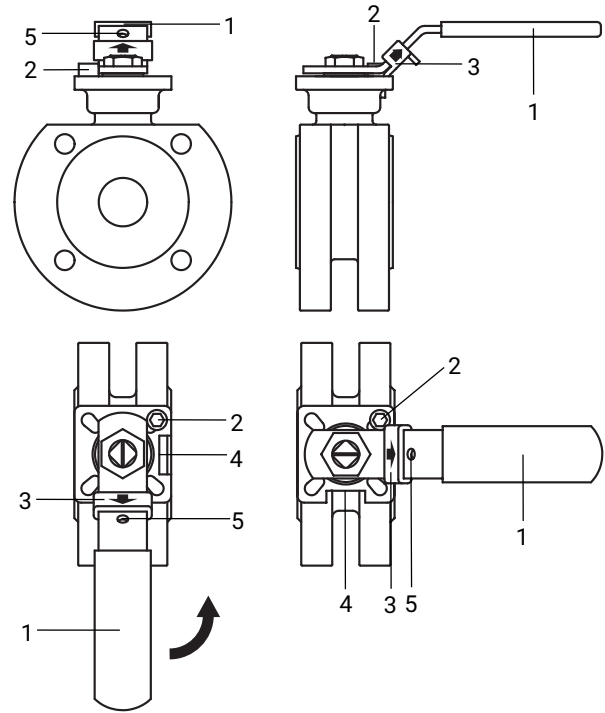
1. Check the tightness and the function of the product (close and reopen the product).
2. Flush the piping system of new plant and following repair work (the product must be fully open).
  - ⇒ Harmful foreign matter has been removed.
  - ⇒ The product is ready for use.
3. Commission the product.

## 12 Operation



17	Hand lever
a	Ball valve closed
b	Ball valve open

1. Move the hand lever 1 to the desired position.



#### Fully open or fully closed ball valve:

The hand lever 1 is at the travel stop 2.

### NOTICE

- ▶ While the valve opening is continuously selectable, these intermediate positions are not lockable.
2. Lift the hand lever locking device 3 so that hand lever 1 can be turned.
  3. When the required end position is reached, push the hand lever locking device 3 downwards and let it engage in the locking stop 4 (only possible when the ball valve is fully open or fully closed).
  4. When the ball valve is fully open or fully closed with locked hand lever 1, it can be secured in position with a suitable lock (e.g. padlock) in the bolt hole 5 above the hand lever locking device 3 in the hand lever 1.

## 13 Troubleshooting

Error	Possible cause	Troubleshooting
The product does not open or does not open fully	Operating pressure too high	Operate the product with operating pressure specified in datasheet
	The actuator design is not suitable for the operating conditions	Use an actuator that is designed for the operating conditions
	Seals incorrectly mounted	Replace seals or mount them correctly (see chapter "Replacing the seals")
	Hand lever locking device engaged	Disengage hand lever locking device
	Foreign matter in the product	Remove and clean the product
	The actuator design is not suitable for the operating conditions	Use an actuator that is designed for the operating conditions
The product does not close or does not close fully	Hand lever locking device engaged	Disengage hand lever locking device
	Foreign matter in the product	Remove and clean the product
The product is leaking between actuator and valve body	Faulty product	Check the product for potential damage, replace the product if necessary
	Seals faulty	Replace seals (see chapter "Replacing the seals")
Connection between valve body and piping leaking	Incorrect installation	Check installation of valve body in piping
Valve body connection to piping leaking	Flange bolting loose	Retighten flange bolts
	Flange seals faulty	Replace flange seals (see chapter "Replacing the seals")
Valve body leaking	Incorrect installation	Check installation of valve body in piping
	Seals incorrectly mounted	Mount the seals correctly (see chapter "Replacing the seals")
	Wrong seals mounted	Replace seals (see chapter "Replacing the seals")
	Seals faulty	Replace seals (see chapter "Replacing the seals")
	Valve body leaking or corroded	Check valve body for damage, replace valve body if necessary

## 14 Inspection/maintenance

### ⚠ WARNING

#### The equipment is subject to pressure!

- ▶ Risk of severe injury or death
- Depressurize the plant.
- Completely drain the plant.

### ⚠ CAUTION



#### Hot plant components!

- ▶ Risk of burns
- Only work on plant that has cooled down.

### ⚠ CAUTION

- Servicing and maintenance work must only be performed by trained personnel.
- Do not extend hand lever. GEMÜ shall assume no liability whatsoever for damages caused by improper handling or third-party actions.
- In case of doubt, contact GEMÜ prior to commissioning.

1. Use appropriate protective gear as specified in plant operator's guidelines.
2. Shut off plant or plant component.
3. Secure against recommissioning.
4. Depressurize the plant or plant component.

Ball valves are maintenance-free. No lubrication or routine maintenance of the ball valve shaft is required. The shaft is guided through a PTFE gland packing in the ball valve body. The shaft seal is pretensioned and self-adjusting. However, the operator must carry out regular visual examinations of the ball valves, dependent on the operating conditions and the potential danger in order to prevent leakage and damage.

If there is a leakage at the spindle nut, this can generally be rectified by retightening the spindle nut. However, overtightening the spindle nut must be avoided.

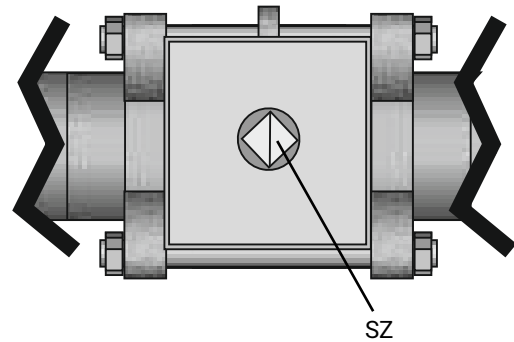
Usually, retightening by between 30° and 60° will be sufficient to rectify the leakage.

### 14.1 General information regarding replacing the hand lever

### NOTICE

#### The following tools are required for replacing the hand lever:

- Open-end wrench
- Ring wrench



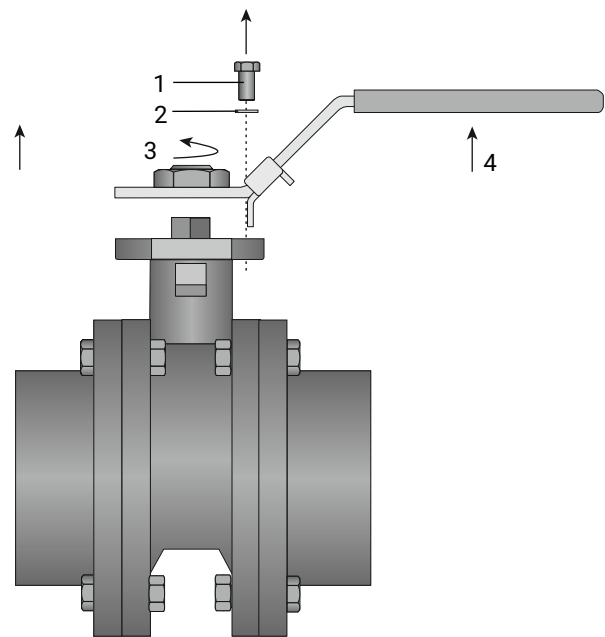
1. Check the position of the ball indicated by the groove **SZ** and compare with position indicator, rotate ball valve to correct position if necessary.

⇒ Groove transverse to piping direction:  
Ball valve closed.

⇒ Groove in piping direction:  
Ball valve open.

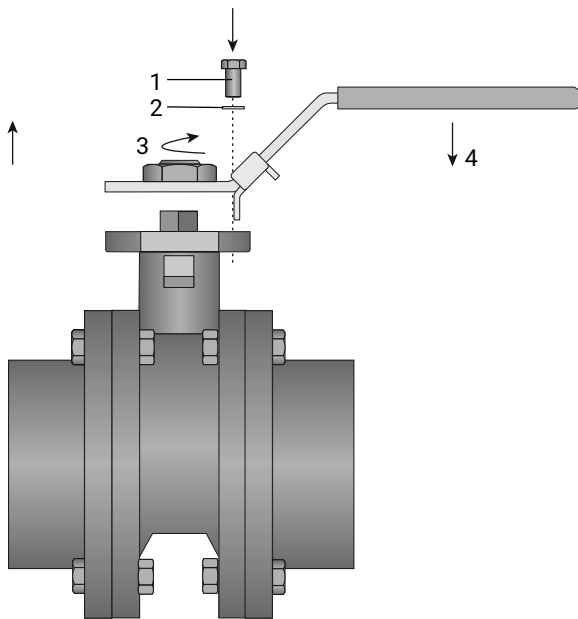
#### 14.1.1 Replacing the hand lever

##### 14.1.1.1 Removing the hand lever



1. Unscrew the hexagon head bolt **1**.
2. Do not lose the washer **2**.
3. Unscrew the bolt **3**.
4. The hand lever **4** can be removed from the ball valve body.

### 14.1.1.2 Mounting the hand lever



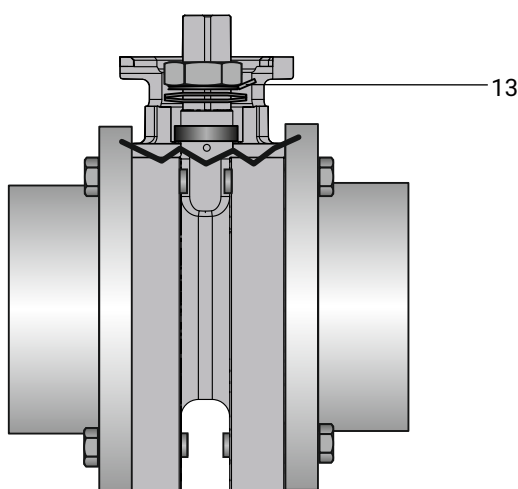
1. Push the new hand lever **4** onto the ball valve body.
2. Turn the hand lever until the hexagon head bolt **1** and bolt **3** can be inserted.
3. Secure the hand lever with the bolt **3**.
4. Screw in the hexagon head bolt **1** with washer **2** again until hand tight.

### 14.1.2 Replacing the seals

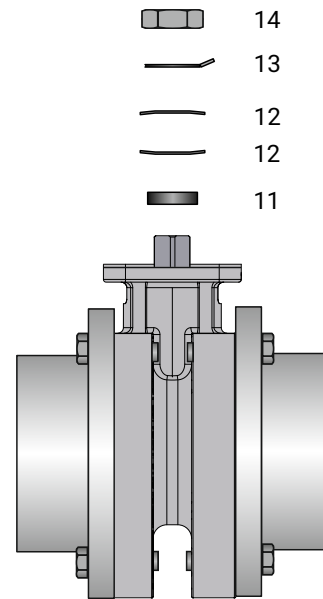
#### NOTICE

- Only use genuine GEMÜ spare parts.
- When ordering spare parts, specify the complete order number of the ball valve.

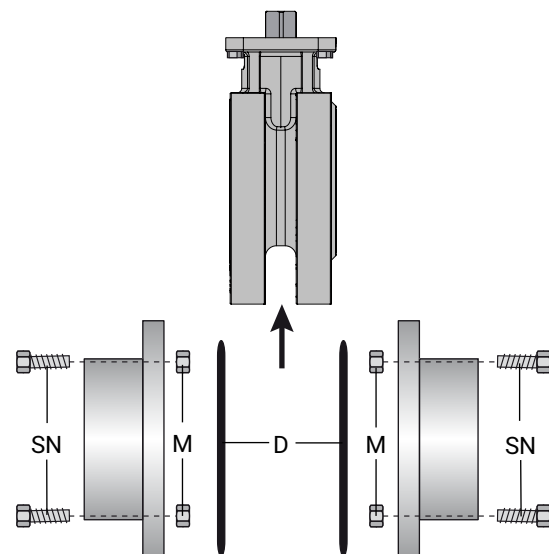
1. Remove the hand lever (see chapter "Removing the hand lever").



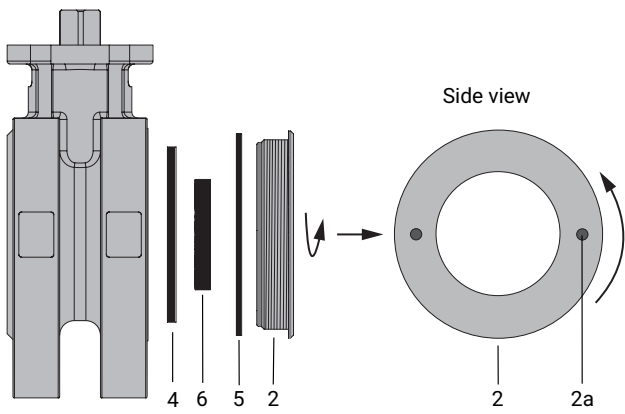
2. Bend the tab **13** of the screw locking device downwards.



3. Undo the spindle nut **14** and remove.
4. Remove the screw locking device **13**.
5. Remove the upper spring washer **12**.
6. Remove the lower spring washer **12**.
7. Remove the stainless steel sleeve **11**.



8. Undo the flange bolts **24** on the ball valve and remove them and the seals **25**.
9. Remove the ball valve from the piping.

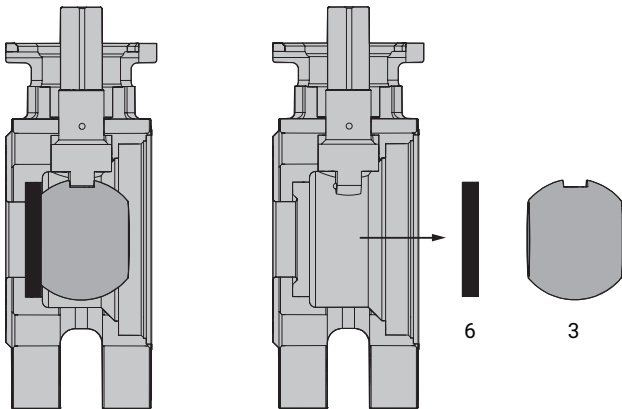


10. Remove the side part **2** that has been screwed into the ball valve:
- Insert a suitable tool into the holes **2a**.
  - Unscrew the side part **2**.

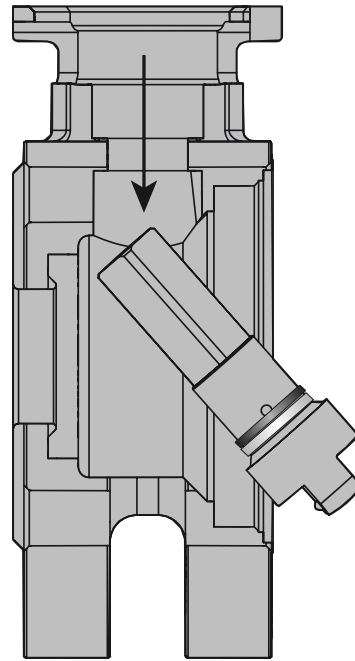
**NOTICE**

► DN 100: Seal **4** not fitted.

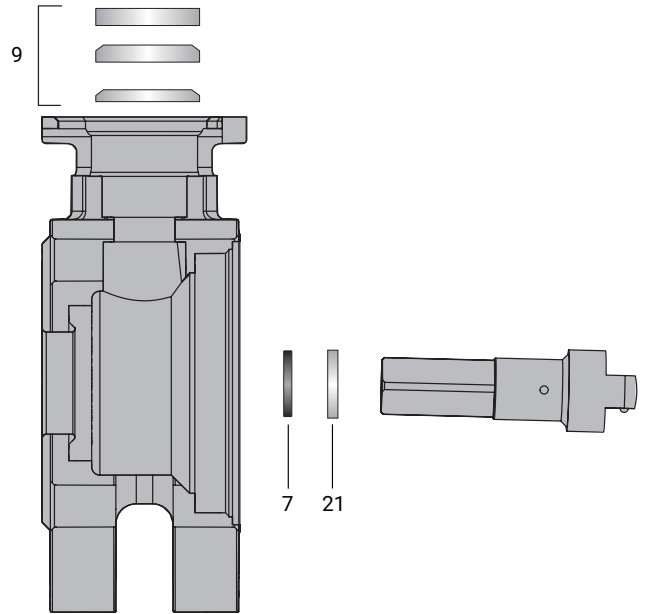
11. Remove the seals **4**, **5** and the front seat seal **6** from the main part of the ball valve.



12. Move the ball to the closed position.
13. Remove the ball **3** and the rear seat seal **6**.



14. Carefully press the shaft into the body and remove it.



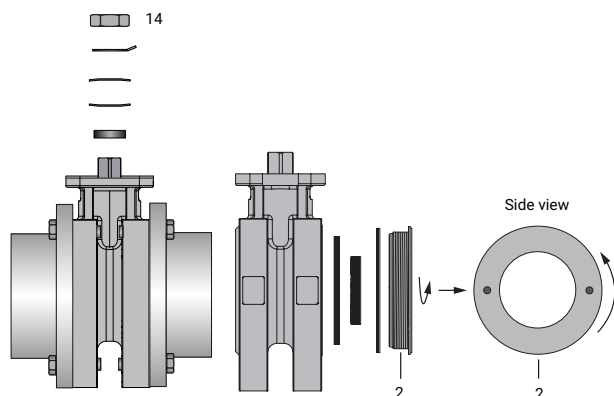
15. Pull the seals **9** upwards out of the ball valve to remove them.



## NOTICE

- Seals **9**:  
DN 15–80: 2 pieces  
DN 100: 3 pieces

16. Remove the O-ring **7** from the shaft.
17. Remove the seal **21** from the shaft.
18. Mount the seals and the ball valve in reverse order.
19. Note the torques for the side part **2** and the spindle nut **14**.



Nominal size	Spindle nut torque [Nm]	Side part torque [Nm]
15	22.8	3.6
20	24.0	3.4
25	23.1	3.7
32	28.6	4.6
40	34.0	5.0
50	39.0	5.0
65	45.0	6.3
80	67.7	7.5
100	82.6	7.7

## 15 Removal from piping

1. Remove the clamp or screw connections in reverse order to installation.
2. Remove welded or solvent cemented connections using a suitable cutting tool.
3. Observe the safety information and accident prevention regulations.

## 16 Disposal

1. Pay attention to adhered residual material and gas diffusion from penetrated media.
2. Dispose of all parts in accordance with the disposal regulations/environmental protection laws.

## 17 Returns

Legal regulations for the protection of the environment and personnel require that the completed and signed return delivery note is included with the dispatch documents. Returned goods can be processed only when this note is completed. If no return delivery note is included with the product, GEMÜ cannot process credits or repair work but will dispose of the goods at the operator's expense.

1. Clean the product.
2. Request a return delivery note from GEMÜ.
3. Complete the return delivery note.
4. Send the product with a completed return delivery note to GEMÜ.

**18 Declaration of conformity according to 2014/68/EU (Pressure Equipment Directive)**

# EU Declaration of Conformity

## in accordance with 2014/68/EU (Pressure Equipment Directive)

We, the company  
GEMÜ Gebr. Müller Apparatebau GmbH & Co. KG  
Fritz-Müller-Strasse 6-8  
74653 Ingelfingen-Criesbach, Germany

declare that the product listed below complies with the safety requirements of the Pressure Equipment Directive 2014/68/EU.

**Description of the pressure equipment:** GEMÜ B26  
**Notified body:** TÜV Rheinland Industrie Service GmbH  
**Number:** 0035  
**Certificate no.:** 01 202 926/Q-02 0036  
**Conformity assessment procedure:** Module H  
**Technical standard applied in parts:** EN 1983, AD 2000

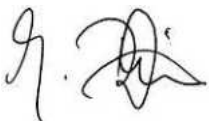
**Note for products with a nominal size  $\leq$  DN 25:**

The products are developed and produced according to GEMÜ process instructions and quality standards which comply with the requirements of ISO 9001 and ISO 14001.

According to Article 4, Paragraph 3 of the Pressure Equipment Directive 2014/68/EU these products must not be identified by a CE-label.

**Other applied standards/ remarks:**

- DIN EN ISO 5211
- DIN EN 558
- AD 2000



Joachim Brien  
Head of Technical Department



GEMÜ Gebr. Müller Apparatebau GmbH & Co. KG  
Fritz-Müller-Straße 6-8, 74653 Ingelfingen-Criesbach, Germany  
Phone +49 (0) 7940 1230 · info@gemue.de  
www.gemu-group.com

Subject to alteration

01.2024 | 88711485